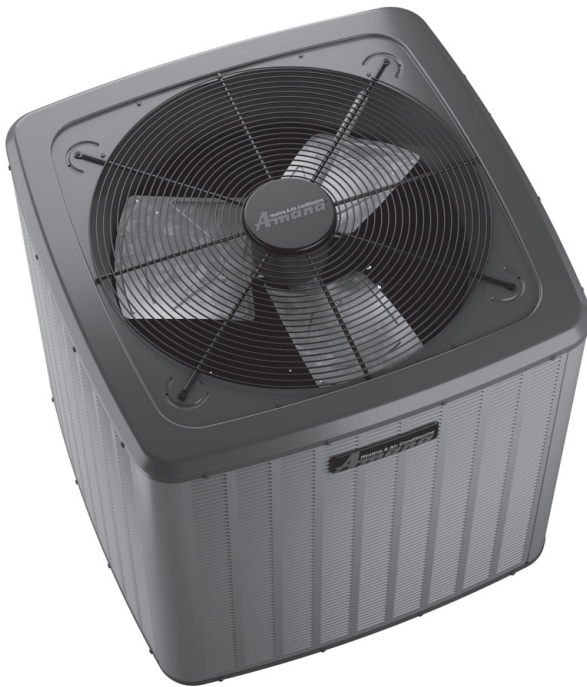


**ENERGY-EFFICIENT
 SPLIT SYSTEM AIR CONDITIONER
 UP TO 14.5 SEER2
 1½ TO 5 TONS**



Contents

Nomenclature 2
 Product Specifications 3
 Expanded Cooling Data 4
 Performance Data 18
 Wiring Diagram 20
 Dimensions 21
 Accessories 21

Standard Features

- Energy-efficient scroll compressor
- High-density foam compressor sound blanket
- Advanced Copeland® CoreSense™ Technology
- Copper tube/ enhanced aluminum fin coil- 5mm diameter
- Single-speed PSC condenser fan motor
- Factory-installed filter drier
- Sweat connection service valves with easy access to gauge ports
- Contactor with lug connection
- Ground lug connection
- AHRI Certified; ETL Listed

Cabinet Features

- Removable grille-style top design compliant with UL 60335-2-40
- Venturi for increased velocity of airflow
- Attractive Architectural Gray powder-paint finish with 500-hour salt-spray approval
- Wire fan discharge grille
- Steel louver coil guard
- Top and side maintenance access
- Single-panel access to controls with space provided for field-installed accessories



COMPANY WITH
 QUALITY SYSTEM
 CERTIFIED BY DNV GL
 = ISO 9001 =

COMPANY WITH
 ENVIRONMENTAL SYSTEM
 CERTIFIED BY DNV GL
 = ISO 14001 =

* Complete warranty details available from your local dealer or at www.amana-hac.com. To receive the 10-Year Parts Limited Warranty, online registration must be completed within 60 days of installation. Online registration is not required in California or Quebec. The duration of warranty coverages in Texas differs in some cases.

NOMENCLATURE

| | A | S | X | H | 3 | 0 | 36 | 1 | 0 | A | A | |
|-------------------------|---------------------------------------------------------------------------------------------------------------------------------------------------------|---|---|---|---|---|-----|---|---|----|------------------------|-----------------------------------------------------------------------------------------------------------------------|
| | 1 | 2 | 3 | 4 | 5 | 6 | 7,8 | 9 | | 11 | 12 | |
| Brand | A - Amana® Brand | | | | | | | | | | Minor Rev | A |
| Product Category | S Split System R-410A | | | | | | | | | | Major Rev | A |
| Unit Type | X Condenser Z Heat Pump | | | | | | | | | | Electrical | 1 208/230 V, 1 Phase, 60 Hz |
| Feature | N Value C Premium H Enhanced V Ultimate | | | | | | | | | | Nominal Tonnage | 18 - 1½ tons 36 - 3.0 Tons 24 - 2 tons 42 - 3.5 Tons 30 - 2½ tons 48 - 4.0 Tons 60 - 5.0 Tons |
| SEER2 | 13.4 - 13.7 = 3 16.6 - 17.5 = 7 13.8 - 14.5 = 4 17.6 - 18.5 = 8 14.6 - 15.5 = 5 18.6 - 19.5 = 9 15.6 - 16.5 = 6 19.6 + = 0 | | | | | | | | | | Sales Region | N - North S - Southeast & North 0 - All Region |

| | ASXH3 N1810A* | ASXH3 N2410A* | ASXH3 N3010A* | ASXH3 N3610A* | ASXH3 N4210A* | ASXH3 N4810A* | ASXH3 N6010A* |
|-------------------------------------------|------------------|------------------|------------------|------------------|------------------|------------------|------------------|
| COOLING CAPACITY | | | | | | | |
| Nominal Cooling (BTU/h) | 18,000 | 24,000 | 30,000 | 36,000 | 42,000 | 48,000 | 60,000 |
| Decibels (dBA) | 68.0 | 68.0 | 72.0 | 70.0 | 69.0 | 73.0 | 73.0 |
| COMPRESSOR | | | | | | | |
| RLA | 9.0 | 11.5 | 12.8 | 14.1 | 17.7 | 18.5 | 25.6 |
| LRA | 47.5 | 59.5 | 67.8 | 87.4 | 110.2 | 124 | 150 |
| Stage | Single | Single | Single | Single | Single | Single | Single |
| Type | Scroll | Scroll | Scroll | Scroll | Scroll | Scroll | Scroll |
| CONDENSER FAN MOTOR | | | | | | | |
| Motor Type | PSC | PSC | PSC | PSC | PSC | PSC | PSC |
| Horsepower (RPM) | 1/8 | 1/8 | 1/6 | 1/6 | 1/6 | 1/4 | 1/4 |
| FLA | 0.70 | 0.70 | 0.95 | 0.95 | 0.95 | 1.30 | 1.30 |
| REFRIGERATION SYSTEM | | | | | | | |
| Refrigerant Line Size ¹ | | | | | | | |
| Liquid Line Size ("O.D.) | 3/8" | 3/8" | 3/8" | 3/8" | 3/8" | 3/8" | 3/8" |
| Suction Line Size ("O.D.) | 3/4" | 3/4" | 3/4" | 7/8" | 1 1/8" | 1 1/8" | 1 1/8" |
| Refrigerant Connection Size | | | | | | | |
| Liquid Valve Size ("O.D.) | 3/8" | 3/8" | 3/8" | 3/8" | 3/8" | 3/8" | 3/8" |
| Suction Valve Size ("O.D.) ^{2,3} | 3/4" | 3/4" | 3/4" | 3/4" | 7/8" | 7/8" | 7/8" |
| Valve Connection Type | Sweat | Sweat | Sweat | Sweat | Sweat | Sweat | Sweat |
| Refrigerant Charge ⁴ | 62 | 75 | 78 | 71 | 115 | 120 | 130 |
| ELECTRICAL DATA | | | | | | | |
| Voltage-Phase | 208/230-1 | 208/230-1 | 208/230-1 | 208/230-1 | 208/230-1 | 208/230-1 | 208/230-1 |
| Minimum Circuit Ampacity ⁵ | 12.0 | 15.1 | 17.0 | 18.6 | 23.1 | 24.4 | 33.3 |
| Max. Overcurrent Protection ⁶ | 20 | 25 | 25 | 30 | 40 | 40 | 50 |
| Min / Max Volts | 197/253 | 197/253 | 197/253 | 197/253 | 197/253 | 197/253 | 197/253 |
| Electrical Conduit Size | 1/2" or 3/4" | 1/2" or 3/4" | 1/2" or 3/4" | 1/2" or 3/4" | 1/2" or 3/4" | 1/2" or 3/4" | 1/2" or 3/4" |
| Equipment Weight (lbs) | 122 | 136 | 151 | 153 | 188 | 215 | 227 |
| Ship Weight (lbs) | 135 | 149 | 166 | 168 | 203 | 235 | 247 |

¹ Line sizes denoted for 25' line sets, tested and rated in accordance with AHRI Standard 210/240. For other line-set lengths or sizes, refer to the installation & Operating instructions and/or the long line-set guidelines.

² Wire size should be determined in accordance with National Electrical Codes; extensive wire runs will require larger wire sizes

³ Must use time-delay fuses or HACR-type circuit breakers of the same size as noted.

⁴ Installer will need to supply 3/4" to 7/8" adapters for suction line connections.

⁵ Installer will need to supply 3/8" to 1 1/8" adapters for suction line connections.

⁶ Must use time-delay fuses or HACR-type circuit breakers of the same size as noted.

NOTES

- Always check the S&R plate for electrical data on the unit being installed.

EXPANDED COOLING DATA — ASXH3N1810A*/CA*FA1818*6A* + EEP

| IDB | AIRFLOW | OUTDOOR AMBIENT TEMPERATURE | | | | | | | | | | | | | | | | | | | | | | | |
|-----|---------|-----------------------------|------|------|----|------|------|------|----|------|------|------|----|------|------|------|----|------|------|------|----|------|------|------|----|
| | | 65 | | | | 75 | | | | 85 | | | | 95 | | | | 105 | | | | 115 | | | |
| | | 59 | 63 | 67 | 71 | 59 | 63 | 67 | 71 | 59 | 63 | 67 | 71 | 59 | 63 | 67 | 71 | 59 | 63 | 67 | 71 | 59 | 63 | 67 | 71 |
| 70 | MBh | 17.5 | 17.7 | 18.3 | - | 17.3 | 17.6 | 18.1 | - | 16.9 | 17.1 | 17.7 | - | 16.1 | 16.3 | 16.9 | - | 15.1 | 15.4 | 15.9 | - | 14.3 | 14.5 | 15.0 | - |
| | S/T | 0.62 | 0.54 | 0.40 | - | 0.62 | 0.55 | 0.41 | - | 1.00 | 0.57 | 0.43 | - | 1.00 | 0.59 | 0.45 | - | 1.00 | 0.61 | 0.48 | - | 1.00 | 0.67 | 0.53 | - |
| | ΔT | 20 | 18 | 14 | - | 19 | 18 | 14 | - | 20 | 18 | 15 | - | 19 | 18 | 14 | - | 19 | 17 | 14 | - | 20 | 19 | 15 | - |
| | KW | 1.15 | 1.15 | 1.14 | - | 1.27 | 1.27 | 1.26 | - | 1.40 | 1.40 | 1.40 | - | 1.54 | 1.54 | 1.54 | - | 1.70 | 1.70 | 1.70 | - | 1.89 | 1.89 | 1.89 | - |
| | Amps | 4.0 | 4.0 | 4.0 | - | 4.5 | 4.5 | 4.5 | - | 5.1 | 5.1 | 5.1 | - | 5.8 | 5.8 | 5.8 | - | 6.5 | 6.5 | 6.5 | - | 7.4 | 7.4 | 7.4 | - |
| 75 | Hi PR | 243 | 244 | 245 | - | 281 | 282 | 284 | - | 321 | 322 | 324 | - | 364 | 365 | 367 | - | 411 | 412 | 414 | - | 460 | 461 | 463 | - |
| | Lo PR | 129 | 130 | 133 | - | 136 | 138 | 141 | - | 143 | 145 | 148 | - | 149 | 151 | 154 | - | 155 | 156 | 160 | - | 162 | 163 | 167 | - |
| | MBh | 17.7 | 18.0 | 18.5 | - | 17.6 | 17.8 | 18.3 | - | 17.1 | 17.4 | 17.9 | - | 16.3 | 16.6 | 17.1 | - | 15.4 | 15.6 | 16.1 | - | 14.5 | 14.7 | 15.3 | - |
| | S/T | 0.68 | 0.60 | 0.46 | - | 0.68 | 0.61 | 0.47 | - | 1.00 | 0.63 | 0.49 | - | 1.00 | 0.65 | 0.51 | - | 1.00 | 0.68 | 0.54 | - | 1.00 | 1.00 | 0.59 | - |
| | ΔT | 18 | 17 | 13 | - | 18 | 17 | 13 | - | 19 | 17 | 13 | - | 18 | 17 | 13 | - | 18 | 16 | 13 | - | 19 | 17 | 14 | - |
| 80 | KW | 1.15 | 1.15 | 1.15 | - | 1.27 | 1.27 | 1.27 | - | 1.41 | 1.40 | 1.40 | - | 1.55 | 1.55 | 1.55 | - | 1.71 | 1.71 | 1.71 | - | 1.90 | 1.90 | 1.90 | - |
| | Amps | 4.0 | 4.0 | 4.0 | - | 4.5 | 4.5 | 4.5 | - | 5.2 | 5.1 | 5.1 | - | 5.8 | 5.8 | 5.8 | - | 6.5 | 6.5 | 6.5 | - | 7.4 | 7.4 | 7.4 | - |
| | Hi PR | 245 | 246 | 247 | - | 283 | 284 | 286 | - | 323 | 324 | 326 | - | 366 | 367 | 369 | - | 413 | 414 | 416 | - | 462 | 464 | 465 | - |
| | Lo PR | 130 | 132 | 135 | - | 138 | 140 | 143 | - | 145 | 147 | 150 | - | 151 | 152 | 156 | - | 157 | 158 | 161 | - | 164 | 165 | 169 | - |
| | MBh | 18.0 | 18.3 | 18.8 | - | 17.8 | 18.1 | 18.6 | - | 17.4 | 17.6 | 18.2 | - | 16.6 | 16.9 | 17.4 | - | 15.6 | 15.9 | 16.4 | - | 14.8 | 15.0 | 15.5 | - |
| 85 | S/T | 0.71 | 0.64 | 0.50 | - | 0.72 | 0.64 | 0.50 | - | 1.00 | 0.67 | 0.53 | - | 1.00 | 0.69 | 0.55 | - | 1.00 | 0.71 | 0.57 | - | 1.00 | 1.00 | 0.62 | - |
| | ΔT | 17 | 16 | 12 | - | 17 | 16 | 12 | - | 18 | 16 | 13 | - | 17 | 16 | 12 | - | 17 | 15 | 12 | - | 18 | 17 | 13 | - |
| | KW | 1.16 | 1.16 | 1.16 | - | 1.28 | 1.28 | 1.27 | - | 1.41 | 1.41 | 1.41 | - | 1.55 | 1.55 | 1.55 | - | 1.72 | 1.71 | 1.71 | - | 1.90 | 1.90 | 1.90 | - |
| | Amps | 4.0 | 4.0 | 4.0 | - | 4.6 | 4.6 | 4.6 | - | 5.2 | 5.2 | 5.2 | - | 5.8 | 5.8 | 5.8 | - | 6.6 | 6.6 | 6.6 | - | 7.4 | 7.4 | 7.4 | - |
| | Hi PR | 247 | 248 | 249 | - | 285 | 286 | 288 | - | 325 | 326 | 328 | - | 368 | 369 | 371 | - | 415 | 416 | 418 | - | 464 | 466 | 467 | - |
| 90 | Lo PR | 132 | 134 | 137 | - | 140 | 142 | 145 | - | 147 | 149 | 152 | - | 153 | 155 | 158 | - | 159 | 160 | 163 | - | 166 | 167 | 171 | - |

| | | | | | | | | | | | | | | | | | | | | | | | | | |
|-----|-------|------|------|------|-------|------|------|------|-------|------|------|------|-------|------|------|------|-------|------|------|------|-------|------|------|------|-------|
| 95 | MBh | 17.5 | 17.8 | 18.3 | 19.1 | 17.4 | 17.6 | 18.1 | 18.9 | 16.9 | 17.1 | 17.7 | 18.5 | 16.1 | 16.4 | 16.9 | 17.7 | 15.1 | 15.4 | 15.9 | 16.7 | 14.3 | 14.5 | 15.0 | 15.8 |
| | S/T | 0.75 | 0.67 | 0.53 | 0.4 | 1.00 | 0.68 | 0.54 | 0.4 | 1.00 | 0.76 | 0.63 | 0.5 | 1.00 | 0.78 | 0.65 | 0.5 | 1.00 | 1.00 | 0.67 | 0.5 | 1.00 | 1.00 | 0.72 | 0.6 |
| | ΔT | 23 | 22 | 18 | 15 | 23 | 22 | 18 | 15 | 24 | 22 | 19 | 15 | 23 | 22 | 18 | 15 | 23 | 21 | 18 | 15 | 24 | 22 | 19 | 16 |
| | KW | 1.15 | 1.14 | 1.14 | 1.2 | 1.27 | 1.26 | 1.26 | 1.3 | 1.40 | 1.40 | 1.40 | 1.4 | 1.54 | 1.54 | 1.54 | 1.5 | 1.70 | 1.70 | 1.70 | 1.7 | 1.89 | 1.89 | 1.89 | 1.9 |
| | Amps | 4.0 | 4.0 | 3.9 | 4.0 | 4.5 | 4.5 | 4.5 | 4.5 | 5.1 | 5.1 | 5.1 | 5.1 | 5.8 | 5.8 | 5.8 | 5.8 | 6.5 | 6.5 | 6.5 | 6.5 | 7.4 | 7.4 | 7.4 | 7.4 |
| 100 | Hi PR | 243 | 244 | 246 | 249.8 | 281 | 282 | 284 | 288.1 | 321 | 322 | 324 | 328.2 | 364 | 365 | 367 | 371.4 | 411 | 412 | 414 | 417.9 | 461 | 462 | 463 | 467.6 |
| | Lo PR | 129 | 130 | 133 | 138.9 | 136 | 138 | 141 | 146.7 | 143 | 145 | 148 | 153.5 | 149 | 151 | 154 | 159.3 | 155 | 156 | 160 | 165.0 | 162 | 163 | 167 | 172.1 |
| | MBh | 17.7 | 18.0 | 18.5 | 19.3 | 17.6 | 17.8 | 18.4 | 19.2 | 17.1 | 17.4 | 17.9 | 18.7 | 16.3 | 16.6 | 17.1 | 17.9 | 15.4 | 15.6 | 16.1 | 16.9 | 14.5 | 14.7 | 15.3 | 16.1 |
| | S/T | 0.81 | 0.73 | 0.59 | 0.4 | 1.00 | 0.74 | 0.60 | 0.5 | 1.00 | 0.76 | 0.63 | 0.5 | 1.00 | 0.78 | 0.65 | 0.5 | 1.00 | 1.00 | 0.67 | 0.5 | 1.00 | 1.00 | 0.72 | 0.6 |
| | ΔT | 22 | 21 | 17 | 14 | 22 | 21 | 17 | 14 | 23 | 21 | 17 | 14 | 22 | 21 | 17 | 14 | 22 | 20 | 17 | 13 | 23 | 21 | 18 | 15 |
| 105 | KW | 1.15 | 1.15 | 1.15 | 1.16 | 1.27 | 1.27 | 1.27 | 1.28 | 1.40 | 1.40 | 1.40 | 1.41 | 1.55 | 1.55 | 1.55 | 1.55 | 1.71 | 1.71 | 1.71 | 1.72 | 1.90 | 1.90 | 1.90 | 1.91 |
| | Amps | 4.0 | 4.0 | 4.0 | 4.0 | 4.5 | 4.5 | 4.5 | 4.6 | 5.1 | 5.1 | 5.1 | 5.2 | 5.8 | 5.8 | 5.8 | 5.8 | 6.5 | 6.5 | 6.5 | 6.6 | 7.4 | 7.4 | 7.4 | 7.4 |
| | Hi PR | 245 | 246 | 248 | 251.9 | 283 | 284 | 286 | 290.2 | 323 | 324 | 326 | 330.3 | 366 | 368 | 369 | 373.4 | 413 | 414 | 416 | 420.0 | 463 | 464 | 465 | 469.7 |
| | Lo PR | 130 | 132 | 135 | 140.8 | 138 | 140 | 143 | 148.6 | 145 | 147 | 150 | 155.4 | 151 | 152 | 156 | 161.2 | 157 | 158 | 161 | 166.9 | 164 | 165 | 169 | 174.0 |
| | MBh | 18.0 | 18.3 | 18.8 | 19.6 | 17.9 | 18.1 | 18.6 | 19.4 | 17.4 | 17.6 | 18.2 | 19.0 | 16.6 | 16.9 | 17.4 | 18.2 | 15.7 | 15.9 | 16.4 | 17.2 | 14.8 | 15.0 | 15.5 | 16.3 |
| 110 | S/T | 0.84 | 0.77 | 0.63 | 0.5 | 1.00 | 0.77 | 0.64 | 0.5 | 1.00 | 0.80 | 0.66 | 0.5 | 1.00 | 0.82 | 0.68 | 0.5 | 1.00 | 1.00 | 0.70 | 0.6 | 1.00 | 1.00 | 0.76 | 0.6 |
| | ΔT | 21 | 20 | 16 | 13 | 21 | 20 | 16 | 13 | 22 | 20 | 16 | 13 | 21 | 20 | 16 | 13 | 21 | 19 | 16 | 12 | 22 | 20 | 17 | 14 |
| | KW | 1.16 | 1.16 | 1.15 | 1.2 | 1.28 | 1.28 | 1.27 | 1.3 | 1.41 | 1.41 | 1.41 | 1.4 | 1.55 | 1.55 | 1.55 | 1.6 | 1.72 | 1.71 | 1.71 | 1.7 | 1.90 | 1.90 | 1.90 | 1.9 |
| | Amps | 4.0 | 4.0 | 4.0 | 4.0 | 4.6 | 4.6 | 4.5 | 4.6 | 5.2 | 5.2 | 5.2 | 5.2 | 5.8 | 5.8 | 5.8 | 5.9 | 6.6 | 6.6 | 6.6 | 6.6 | 7.4 | 7.4 | 7.4 | 7.5 |
| | Hi PR | 247 | 248 | 250 | 253.9 | 285 | 286 | 288 | 292.2 | 325 | 326 | 328 | 332.3 | 368 | 370 | 371 | 375.4 | 415 | 416 | 418 | 422.0 | 465 | 466 | 467 | 471.7 |
| 115 | Lo PR | 133 | 134 | 137 | 142.9 | 140 | 142 | 145 | 150.7 | 147 | 149 | 152 | 157.5 | 153 | 155 | 158 | 163.3 | 159 | 160 | 164 | 169.0 | 166 | 167 | 171 | 176.1 |

IDB: Entering Indoor Dry Bulb Temperature
 High and low pressures are measured at the liquid and suction service valves.
 Shaded area reflects ACCA (TVA) conditions
 kW = Total system power
 Amps = outdoor unit amps (comp.+fan)

EXPANDED COOLING DATA – ASXH3N1810A*/CA*FA1818*6A* + EEP (CONT.)

| IDB | AIRFLOW | OUTDOOR AMBIENT TEMPERATURE | | | | | | | | | | | | | | | | | | | | | | | |
|-------|---------|-----------------------------|------|-------|-------|------|------|-------|-------|------|------|-------|-------|------|------|-------|-------|------|------|-------|-------|------|------|-------|-------|
| | | 65 | | | | 75 | | | | 85 | | | | 95 | | | | 105 | | | | 115 | | | |
| | | 59 | 63 | 67 | 71 | 59 | 63 | 67 | 71 | 59 | 63 | 67 | 71 | 59 | 63 | 67 | 71 | 59 | 63 | 67 | 71 | 59 | 63 | 67 | 71 |
| 80 | MBh | 17.6 | 17.8 | 18.4 | 19.2 | 17.4 | 17.7 | 18.2 | 19.0 | 17.0 | 17.2 | 17.8 | 18.6 | 16.2 | 16.4 | 17.0 | 17.8 | 15.2 | 15.5 | 16.0 | 16.8 | 14.4 | 14.6 | 15.1 | 15.9 |
| | S/T | 1.00 | 0.80 | 0.66 | 0.5 | 1.00 | 0.81 | 0.67 | 0.5 | 1.00 | 1.00 | 0.69 | 0.5 | 1.00 | 1.00 | 0.71 | 0.6 | 1.00 | 1.00 | 0.74 | 0.6 | 1.00 | 1.00 | 1.00 | 0.6 |
| | ΔT | 27 | 26 | 22 | 19 | 27 | 26 | 22 | 19 | 28 | 26 | 22 | 19 | 27 | 26 | 22 | 19 | 27 | 25 | 22 | 18 | 28 | 26 | 23 | 20 |
| | kW | 1.15 | 1.15 | 1.14 | 1.2 | 1.27 | 1.26 | 1.26 | 1.3 | 1.40 | 1.40 | 1.40 | 1.4 | 1.54 | 1.54 | 1.54 | 1.5 | 1.70 | 1.70 | 1.70 | 1.7 | 1.89 | 1.89 | 1.89 | 1.9 |
| | Amps | 4.0 | 4.0 | 4.0 | 4.0 | 4.5 | 4.5 | 4.5 | 4.5 | 5.1 | 5.1 | 5.1 | 5.1 | 5.8 | 5.8 | 5.8 | 5.8 | 6.5 | 6.5 | 6.5 | 6.5 | 7.4 | 7.4 | 7.4 | 7.4 |
| | Hi-PR | 243 | 244 | 246 | 250.3 | 282 | 283 | 284 | 288.5 | 322 | 323 | 324 | 328.6 | 365 | 366 | 368 | 371.8 | 411 | 412 | 414 | 418.4 | 461 | 462 | 464 | 468.1 |
| Lo-PR | 129 | 131 | 134 | 139.4 | 137 | 139 | 142 | 147.3 | 144 | 145 | 149 | 154.1 | 150 | 151 | 154 | 159.9 | 155 | 157 | 160 | 165.6 | 162 | 164 | 167 | 172.7 | |
| 80 | MBh | 17.8 | 18.1 | 18.6 | 19.4 | 17.7 | 17.9 | 18.4 | 19.2 | 17.2 | 17.5 | 18.0 | 18.8 | 16.4 | 16.7 | 17.2 | 18.0 | 15.5 | 15.7 | 16.2 | 17.0 | 14.6 | 14.8 | 15.4 | 16.2 |
| | S/T | 1.00 | 0.86 | 0.72 | 0.6 | 1.00 | 0.87 | 0.73 | 0.6 | 1.00 | 1.00 | 0.75 | 0.6 | 1.00 | 1.00 | 0.77 | 0.6 | 1.00 | 1.00 | 0.80 | 0.7 | 1.00 | 1.00 | 1.00 | 0.7 |
| | ΔT | 26 | 25 | 21 | 18 | 26 | 25 | 21 | 18 | 27 | 25 | 21 | 18 | 26 | 25 | 21 | 18 | 26 | 24 | 21 | 17 | 27 | 25 | 22 | 19 |
| | kW | 1.15 | 1.15 | 1.15 | 1.16 | 1.27 | 1.27 | 1.27 | 1.28 | 1.41 | 1.40 | 1.40 | 1.41 | 1.55 | 1.55 | 1.55 | 1.56 | 1.71 | 1.71 | 1.71 | 1.71 | 1.90 | 1.90 | 1.90 | 1.91 |
| | Amps | 4.0 | 4.0 | 4.0 | 4.0 | 4.5 | 4.5 | 4.5 | 4.6 | 5.1 | 5.1 | 5.1 | 5.2 | 5.8 | 5.8 | 5.8 | 5.8 | 6.5 | 6.5 | 6.5 | 6.6 | 7.4 | 7.4 | 7.4 | 7.4 |
| | Hi-PR | 245 | 246 | 248 | 252.3 | 284 | 285 | 286 | 290.6 | 324 | 325 | 326 | 330.7 | 367 | 368 | 370 | 373.9 | 413 | 415 | 416 | 420.5 | 463 | 464 | 466 | 470.1 |
| Lo-PR | 131 | 133 | 136 | 141.3 | 139 | 140 | 144 | 149.1 | 146 | 147 | 151 | 156.0 | 151 | 153 | 156 | 161.8 | 157 | 159 | 162 | 167.5 | 164 | 166 | 169 | 174.6 | |
| 80 | MBh | 18.1 | 18.4 | 18.9 | 19.7 | 17.9 | 18.2 | 18.7 | 19.5 | 17.5 | 17.7 | 18.3 | 19.1 | 16.7 | 17.0 | 17.5 | 18.3 | 15.7 | 16.0 | 16.5 | 17.3 | 14.9 | 15.1 | 15.6 | 16.4 |
| | S/T | 1.00 | 0.89 | 0.76 | 0.6 | 1.00 | 0.90 | 0.76 | 0.6 | 1.00 | 1.00 | 0.79 | 0.6 | 1.00 | 1.00 | 0.81 | 0.7 | 1.00 | 1.00 | 0.83 | 0.7 | 1.00 | 1.00 | 1.00 | 0.7 |
| | ΔT | 25 | 24 | 20 | 17 | 25 | 24 | 20 | 17 | 26 | 24 | 20 | 17 | 25 | 24 | 20 | 17 | 25 | 23 | 20 | 16 | 26 | 24 | 21 | 18 |
| | kW | 1.16 | 1.16 | 1.15 | 1.2 | 1.28 | 1.28 | 1.27 | 1.3 | 1.41 | 1.41 | 1.41 | 1.4 | 1.55 | 1.55 | 1.55 | 1.6 | 1.72 | 1.71 | 1.71 | 1.7 | 1.90 | 1.90 | 1.90 | 1.9 |
| | Amps | 4.0 | 4.0 | 4.0 | 4.0 | 4.6 | 4.6 | 4.6 | 4.6 | 5.2 | 5.2 | 5.2 | 5.2 | 5.8 | 5.8 | 5.8 | 5.8 | 6.6 | 6.6 | 6.6 | 6.6 | 7.4 | 7.4 | 7.4 | 7.5 |
| | Hi-PR | 247 | 248 | 250 | 254.3 | 286 | 287 | 288 | 292.6 | 326 | 327 | 328 | 332.7 | 369 | 370 | 372 | 375.9 | 415 | 417 | 418 | 422.5 | 465 | 466 | 468 | 472.1 |
| Lo-PR | 133 | 135 | 138 | 143.4 | 141 | 142 | 146 | 151.2 | 148 | 149 | 153 | 158.1 | 154 | 155 | 158 | 163.9 | 159 | 161 | 164 | 169.6 | 166 | 168 | 171 | 176.7 | |

| | | | | | | | | | | | | | | | | | | | | | | | | | |
|-------|-------|------|------|-------|-------|------|------|-------|-------|------|------|-------|-------|------|------|-------|-------|------|------|-------|-------|------|------|-------|-------|
| 85 | MBh | 17.9 | 18.1 | 18.7 | 19.5 | 17.7 | 18.0 | 18.5 | 19.3 | 17.3 | 17.5 | 18.1 | 18.8 | 16.5 | 16.7 | 17.3 | 18.1 | 15.5 | 15.8 | 16.3 | 17.1 | 14.7 | 14.9 | 15.4 | 16.2 |
| | S/T | 1.00 | 0.90 | 0.76 | 0.6 | 1.00 | 1.00 | 0.77 | 0.6 | 1.00 | 1.00 | 0.80 | 0.7 | 1.00 | 1.00 | 0.82 | 0.7 | 1.00 | 1.00 | 1.00 | 0.7 | 1.00 | 1.00 | 1.00 | 0.7 |
| | ΔT | 31 | 29 | 26 | 22 | 31 | 29 | 26 | 22 | 31 | 29 | 26 | 23 | 31 | 29 | 26 | 22 | 31 | 29 | 26 | 22 | 32 | 30 | 27 | 23 |
| | kW | 1.15 | 1.15 | 1.15 | 1.2 | 1.27 | 1.27 | 1.27 | 1.3 | 1.40 | 1.40 | 1.40 | 1.4 | 1.55 | 1.54 | 1.54 | 1.6 | 1.71 | 1.71 | 1.71 | 1.7 | 1.90 | 1.89 | 1.89 | 1.9 |
| | Amps | 4.0 | 4.0 | 4.0 | 4.0 | 4.5 | 4.5 | 4.5 | 4.6 | 5.1 | 5.1 | 5.1 | 5.2 | 5.8 | 5.8 | 5.8 | 5.8 | 6.5 | 6.5 | 6.5 | 6.6 | 7.4 | 7.4 | 7.4 | 7.4 |
| | Hi-PR | 244 | 245 | 247 | 251.4 | 283 | 284 | 285 | 289.7 | 323 | 324 | 326 | 329.8 | 366 | 367 | 369 | 373.0 | 413 | 414 | 415 | 419.5 | 462 | 463 | 465 | 469.2 |
| Lo-PR | 131 | 133 | 136 | 141.4 | 139 | 140 | 144 | 149.2 | 146 | 147 | 151 | 156.0 | 151 | 153 | 156 | 161.8 | 157 | 159 | 162 | 167.5 | 164 | 166 | 169 | 174.6 | |
| 85 | MBh | 18.1 | 18.4 | 18.9 | 19.7 | 18.0 | 18.2 | 18.7 | 19.5 | 17.5 | 17.8 | 18.3 | 19.1 | 16.7 | 17.0 | 17.5 | 18.3 | 15.8 | 16.0 | 16.5 | 17.3 | 14.9 | 15.1 | 15.7 | 16.5 |
| | S/T | 1.00 | 0.96 | 0.83 | 0.7 | 1.00 | 1.00 | 0.83 | 0.7 | 1.00 | 1.00 | 0.86 | 0.7 | 1.00 | 1.00 | 0.88 | 0.7 | 1.00 | 1.00 | 1.00 | 0.8 | 1.00 | 1.00 | 1.00 | 0.8 |
| | ΔT | 30 | 28 | 25 | 21 | 30 | 28 | 25 | 21 | 30 | 28 | 25 | 21 | 30 | 28 | 25 | 21 | 30 | 28 | 24 | 21 | 31 | 29 | 26 | 22 |
| | kW | 1.16 | 1.15 | 1.15 | 1.16 | 1.27 | 1.27 | 1.27 | 1.28 | 1.41 | 1.41 | 1.40 | 1.41 | 1.55 | 1.55 | 1.55 | 1.56 | 1.71 | 1.71 | 1.71 | 1.72 | 1.90 | 1.90 | 1.90 | 1.91 |
| | Amps | 4.0 | 4.0 | 4.0 | 4.0 | 4.6 | 4.5 | 4.5 | 4.6 | 5.2 | 5.2 | 5.1 | 5.2 | 5.8 | 5.8 | 5.8 | 5.8 | 6.6 | 6.6 | 6.5 | 6.6 | 7.4 | 7.4 | 7.4 | 7.5 |
| | Hi-PR | 246 | 248 | 249 | 253.5 | 285 | 286 | 288 | 291.7 | 325 | 326 | 328 | 331.8 | 368 | 369 | 371 | 375.0 | 415 | 416 | 417 | 421.6 | 464 | 465 | 467 | 471.3 |
| Lo-PR | 133 | 135 | 138 | 143.3 | 141 | 142 | 146 | 151.1 | 148 | 149 | 152 | 157.9 | 153 | 155 | 158 | 163.7 | 159 | 161 | 164 | 169.4 | 166 | 168 | 171 | 176.5 | |
| 85 | MBh | 18.4 | 18.6 | 19.2 | 20.0 | 18.2 | 18.5 | 19.0 | 19.8 | 17.8 | 18.0 | 18.6 | 19.4 | 17.0 | 17.2 | 17.8 | 18.6 | 16.0 | 16.3 | 16.8 | 17.6 | 15.2 | 15.4 | 15.9 | 16.7 |
| | S/T | 1.00 | 1.00 | 0.86 | 0.7 | 1.00 | 1.00 | 0.87 | 0.7 | 1.00 | 1.00 | 0.89 | 0.7 | 1.00 | 1.00 | 0.90 | 0.8 | 1.00 | 1.00 | 1.00 | 0.8 | 1.00 | 1.00 | 1.00 | 0.8 |
| | ΔT | 29 | 27 | 24 | 20 | 29 | 27 | 24 | 20 | 29 | 27 | 24 | 21 | 29 | 27 | 24 | 20 | 29 | 27 | 24 | 20 | 30 | 28 | 25 | 21 |
| | kW | 1.16 | 1.16 | 1.16 | 1.2 | 1.28 | 1.28 | 1.28 | 1.3 | 1.41 | 1.41 | 1.41 | 1.4 | 1.56 | 1.56 | 1.55 | 1.6 | 1.72 | 1.72 | 1.72 | 1.72 | 1.91 | 1.91 | 1.91 | 1.9 |
| | Amps | 4.0 | 4.0 | 4.0 | 4.1 | 4.6 | 4.6 | 4.6 | 4.6 | 5.2 | 5.2 | 5.2 | 5.2 | 5.8 | 5.8 | 5.8 | 5.9 | 6.6 | 6.6 | 6.6 | 6.6 | 7.4 | 7.4 | 7.4 | 7.5 |
| | Hi-PR | 248 | 250 | 251 | 255.5 | 287 | 288 | 290 | 293.7 | 327 | 328 | 330 | 333.8 | 370 | 371 | 373 | 377.0 | 417 | 418 | 419 | 423.6 | 466 | 467 | 469 | 473.3 |
| Lo-PR | 135 | 137 | 140 | 145.3 | 143 | 144 | 148 | 153.2 | 150 | 151 | 155 | 160.0 | 155 | 157 | 160 | 165.8 | 161 | 163 | 166 | 171.5 | 168 | 170 | 173 | 178.6 | |

IDB: Entering Indoor Dry Bulb Temperature
 High and low pressures are measured at the liquid and suction service valves.
 Shaded area reflects AHRI conditions
 kW = Total system power
 Amps = outdoor unit amps (comp.+fan)

EXPANDED COOLING DATA — ASXH3N2410A*/CA*FA2422*6A* + EEP

| IDB | AIRFLOW | OUTDOOR AMBIENT TEMPERATURE | | | | | | | | | | | | | | | | | | | | | | | |
|-------|---------|-----------------------------|------|------|-----|------|------|------|-----|------|------|------|-----|------|------|------|-----|------|------|------|-----|------|------|------|----|
| | | 65 | | | | 75 | | | | 85 | | | | 95 | | | | 105 | | | | 115 | | | |
| | | 59 | 63 | 67 | 71 | 59 | 63 | 67 | 71 | 59 | 63 | 67 | 71 | 59 | 63 | 67 | 71 | 59 | 63 | 67 | 71 | 59 | 63 | 67 | 71 |
| 70 | MBh | 23.5 | 23.8 | 24.5 | - | 23.3 | 23.6 | 24.3 | - | 22.7 | 23.0 | 23.7 | - | 21.6 | 22.0 | 22.7 | - | 20.4 | 20.7 | 21.4 | - | 19.2 | 19.5 | 20.2 | - |
| | S/T | 0.64 | 0.57 | 0.44 | - | 0.64 | 0.57 | 0.44 | - | 0.67 | 0.60 | 0.47 | - | 0.69 | 0.61 | 0.48 | - | 1.00 | 0.64 | 0.51 | - | 1.00 | 0.68 | 0.55 | - |
| | ΔT | 18 | 16 | 13 | - | 18 | 16 | 13 | - | 18 | 16 | 13 | - | 18 | 16 | 13 | - | 17 | 16 | 12 | - | 18 | 17 | 13 | - |
| | KW | 1.51 | 1.51 | 1.50 | - | 1.67 | 1.67 | 1.67 | - | 1.86 | 1.85 | 1.85 | - | 2.05 | 2.05 | 2.05 | - | 2.28 | 2.28 | 2.27 | - | 2.54 | 2.54 | 2.53 | - |
| | Amps | 5.3 | 5.2 | 5.2 | - | 6.0 | 6.0 | 6.0 | - | 6.8 | 6.8 | 6.8 | - | 7.8 | 7.8 | 7.7 | - | 8.8 | 8.8 | 8.8 | - | 10.0 | 10.0 | 10.0 | - |
| 75 | Hi PR | 250 | 251 | 253 | - | 289 | 290 | 292 | - | 330 | 331 | 333 | - | 375 | 376 | 377 | - | 422 | 423 | 425 | - | 473 | 474 | 476 | - |
| | Lo PR | 121 | 123 | 126 | - | 128 | 130 | 133 | - | 135 | 136 | 139 | - | 140 | 142 | 145 | - | 146 | 147 | 150 | - | 152 | 154 | 157 | - |
| | MBh | 23.8 | 24.1 | 24.8 | - | 23.6 | 23.9 | 24.6 | - | 23.0 | 23.3 | 24.0 | - | 21.9 | 22.3 | 23.0 | - | 20.7 | 21.0 | 21.7 | - | 19.5 | 19.8 | 20.5 | - |
| | S/T | 0.67 | 0.59 | 0.46 | - | 0.67 | 0.60 | 0.47 | - | 0.70 | 0.62 | 0.49 | - | 0.72 | 0.64 | 0.51 | - | 1.00 | 0.66 | 0.53 | - | 1.00 | 0.71 | 0.58 | - |
| | ΔT | 17 | 15 | 12 | - | 17 | 15 | 12 | - | 17 | 15 | 12 | - | 17 | 15 | 12 | - | 17 | 15 | 12 | - | 18 | 16 | 13 | - |
| 800 | KW | 1.51 | 1.51 | 1.51 | - | 1.68 | 1.68 | 1.67 | - | 1.86 | 1.86 | 1.86 | - | 2.06 | 2.06 | 2.06 | - | 2.28 | 2.28 | 2.28 | - | 2.54 | 2.54 | 2.54 | - |
| | Amps | 5.3 | 5.3 | 5.3 | - | 6.0 | 6.0 | 6.0 | - | 6.9 | 6.9 | 6.9 | - | 7.8 | 7.8 | 7.8 | - | 8.8 | 8.8 | 8.8 | - | 10.0 | 10.0 | 10.0 | - |
| | Hi PR | 252 | 253 | 255 | - | 291 | 292 | 294 | - | 332 | 333 | 335 | - | 376 | 377 | 379 | - | 424 | 425 | 427 | - | 475 | 476 | 477 | - |
| | Lo PR | 123 | 124 | 127 | - | 130 | 132 | 135 | - | 136 | 138 | 141 | - | 142 | 143 | 146 | - | 147 | 149 | 152 | - | 154 | 155 | 158 | - |
| | MBh | 24.3 | 24.6 | 25.3 | - | 24.1 | 24.4 | 25.1 | - | 23.5 | 23.8 | 24.5 | - | 22.4 | 22.7 | 23.4 | - | 21.1 | 21.5 | 22.2 | - | 20.0 | 20.3 | 21.0 | - |
| 900 | S/T | 0.68 | 0.61 | 0.48 | - | 0.69 | 0.61 | 0.48 | - | 0.71 | 0.64 | 0.51 | - | 1.00 | 0.66 | 0.53 | - | 1.00 | 0.68 | 0.55 | - | 1.00 | 0.73 | 0.60 | - |
| | ΔT | 16 | 14 | 11 | - | 16 | 14 | 11 | - | 16 | 15 | 11 | - | 16 | 14 | 11 | - | 16 | 14 | 11 | - | 17 | 15 | 12 | - |
| | KW | 1.52 | 1.52 | 1.52 | - | 1.68 | 1.68 | 1.68 | - | 1.87 | 1.87 | 1.86 | - | 2.07 | 2.07 | 2.06 | - | 2.29 | 2.29 | 2.29 | - | 2.55 | 2.55 | 2.55 | - |
| | Amps | 5.3 | 5.3 | 5.3 | - | 6.1 | 6.1 | 6.0 | - | 6.9 | 6.9 | 6.9 | - | 7.8 | 7.8 | 7.8 | - | 8.8 | 8.8 | 8.8 | - | 10.0 | 10.0 | 10.0 | - |
| | Hi PR | 254 | 255 | 257 | - | 293 | 294 | 296 | - | 334 | 335 | 337 | - | 379 | 380 | 381 | - | 426 | 427 | 429 | - | 477 | 478 | 480 | - |
| Lo PR | 125 | 127 | 130 | - | 132 | 134 | 137 | - | 139 | 140 | 143 | - | 144 | 146 | 149 | - | 149 | 151 | 154 | - | 156 | 158 | 161 | - | |

| | | | | | | | | | | | | | | | | | | | | | | | | | |
|-------|-------|------|------|-------|-------|------|------|-------|-------|------|------|-------|-------|------|------|-------|-------|------|------|-------|-------|------|------|-------|-------|
| 75 | MBh | 23.5 | 23.8 | 24.5 | 25.6 | 23.3 | 23.6 | 24.3 | 25.4 | 22.7 | 23.0 | 23.7 | 24.8 | 21.7 | 22.0 | 22.7 | 23.7 | 20.4 | 20.7 | 21.4 | 22.5 | 19.2 | 19.6 | 20.2 | 21.3 |
| | S/T | 0.76 | 0.69 | 0.56 | 0.4 | 0.77 | 0.70 | 0.57 | 0.4 | 1.00 | 0.72 | 0.59 | 0.5 | 1.00 | 0.74 | 0.61 | 0.5 | 1.00 | 0.76 | 0.63 | 0.5 | 1.00 | 0.81 | 0.68 | 0.5 |
| | ΔT | 21 | 20 | 17 | 13 | 21 | 20 | 16 | 13 | 22 | 20 | 17 | 13 | 21 | 20 | 16 | 13 | 21 | 19 | 16 | 13 | 22 | 21 | 17 | 14 |
| | KW | 1.51 | 1.50 | 1.50 | 1.5 | 1.67 | 1.67 | 1.67 | 1.7 | 1.85 | 1.85 | 1.85 | 1.9 | 2.05 | 2.05 | 2.05 | 2.1 | 2.28 | 2.28 | 2.27 | 2.3 | 2.54 | 2.54 | 2.53 | 2.5 |
| | Amps | 5.2 | 5.2 | 5.2 | 5.3 | 6.0 | 6.0 | 6.0 | 6.0 | 6.8 | 6.8 | 6.8 | 6.9 | 7.8 | 7.8 | 7.7 | 7.8 | 8.8 | 8.8 | 8.8 | 8.8 | 10.0 | 10.0 | 10.0 | 10.0 |
| 800 | Hi PR | 250 | 252 | 253 | 257.6 | 290 | 291 | 292 | 296.7 | 331 | 332 | 333 | 337.7 | 375 | 376 | 378 | 381.9 | 422 | 423 | 425 | 429.5 | 473 | 474 | 476 | 480.3 |
| | Lo PR | 121 | 123 | 126 | 130.8 | 129 | 130 | 133 | 138.1 | 135 | 136 | 139 | 144.5 | 140 | 142 | 145 | 149.9 | 146 | 147 | 150 | 155.1 | 152 | 154 | 157 | 161.7 |
| | MBh | 23.8 | 24.1 | 24.8 | 25.9 | 23.6 | 23.9 | 24.6 | 25.7 | 23.0 | 23.3 | 24.0 | 25.1 | 22.0 | 22.3 | 23.0 | 24.0 | 20.7 | 21.0 | 21.7 | 22.8 | 19.5 | 19.8 | 20.5 | 21.6 |
| | S/T | 0.79 | 0.72 | 0.59 | 0.5 | 0.80 | 0.72 | 0.59 | 0.5 | 1.00 | 0.75 | 0.62 | 0.5 | 1.00 | 0.77 | 0.64 | 0.5 | 1.00 | 0.79 | 0.66 | 0.5 | 1.00 | 1.00 | 0.71 | 0.6 |
| | ΔT | 21 | 19 | 16 | 12 | 21 | 19 | 16 | 12 | 21 | 19 | 16 | 13 | 21 | 19 | 16 | 12 | 20 | 19 | 15 | 12 | 22 | 20 | 17 | 13 |
| 900 | KW | 1.51 | 1.51 | 1.51 | 1.52 | 1.68 | 1.68 | 1.67 | 1.69 | 1.86 | 1.86 | 1.86 | 1.87 | 2.06 | 2.06 | 2.06 | 2.07 | 2.28 | 2.28 | 2.28 | 2.29 | 2.54 | 2.54 | 2.54 | 2.55 |
| | Amps | 5.3 | 5.3 | 5.3 | 5.3 | 6.0 | 6.0 | 6.0 | 6.1 | 6.9 | 6.9 | 6.9 | 6.9 | 7.8 | 7.8 | 7.8 | 7.8 | 8.8 | 8.8 | 8.8 | 8.8 | 10.0 | 10.0 | 10.0 | 10.0 |
| | Hi PR | 252 | 253 | 255 | 259.3 | 291 | 292 | 294 | 298.4 | 332 | 333 | 335 | 339.4 | 376 | 378 | 379 | 383.6 | 424 | 425 | 427 | 431.2 | 475 | 476 | 478 | 482.0 |
| | Lo PR | 123 | 124 | 127 | 132.4 | 130 | 132 | 135 | 139.7 | 136 | 138 | 141 | 146.1 | 142 | 143 | 146 | 151.4 | 147 | 149 | 152 | 156.7 | 154 | 155 | 158 | 163.3 |
| | MBh | 24.3 | 24.6 | 25.3 | 26.4 | 24.1 | 24.4 | 25.1 | 26.2 | 23.5 | 23.8 | 24.5 | 25.6 | 22.4 | 22.8 | 23.5 | 24.5 | 21.2 | 21.5 | 22.2 | 23.2 | 20.0 | 20.3 | 21.0 | 22.1 |
| 75 | S/T | 0.81 | 0.73 | 0.60 | 0.5 | 0.81 | 0.74 | 0.61 | 0.5 | 1.00 | 0.76 | 0.63 | 0.5 | 1.00 | 0.78 | 0.65 | 0.5 | 1.00 | 0.80 | 0.67 | 0.5 | 1.00 | 1.00 | 0.72 | 0.6 |
| | ΔT | 20 | 18 | 15 | 12 | 20 | 18 | 15 | 12 | 20 | 18 | 15 | 12 | 20 | 18 | 15 | 11 | 20 | 18 | 15 | 11 | 21 | 19 | 16 | 12 |
| | KW | 1.52 | 1.52 | 1.51 | 1.5 | 1.68 | 1.68 | 1.68 | 1.7 | 1.87 | 1.87 | 1.86 | 1.9 | 2.07 | 2.07 | 2.06 | 2.1 | 2.29 | 2.29 | 2.29 | 2.3 | 2.55 | 2.55 | 2.55 | 2.6 |
| | Amps | 5.3 | 5.3 | 5.3 | 5.3 | 6.1 | 6.1 | 6.0 | 6.1 | 6.9 | 6.9 | 6.9 | 6.9 | 7.8 | 7.8 | 7.8 | 7.9 | 8.8 | 8.8 | 8.8 | 8.9 | 10.0 | 10.0 | 10.0 | 10.1 |
| | Hi PR | 254 | 255 | 257 | 261.6 | 294 | 295 | 296 | 300.7 | 335 | 336 | 337 | 341.7 | 379 | 380 | 382 | 385.9 | 426 | 427 | 429 | 433.5 | 477 | 478 | 480 | 484.3 |
| Lo PR | 125 | 127 | 130 | 134.8 | 132 | 134 | 137 | 142.1 | 139 | 140 | 143 | 148.5 | 144 | 146 | 149 | 153.9 | 150 | 151 | 154 | 159.1 | 156 | 158 | 161 | 165.7 | |

IDB: Entering Indoor Dry Bulb Temperature
 High and low pressures are measured at the liquid and suction service valves.
 Shaded area reflects ACCA (TVA) conditions
 kW = Total system power
 Amps = outdoor unit amps (comp.+fan)

EXPANDED COOLING DATA — ASXH3N2410A*/CA*FA2422*6A* + EEP (CONT.)

| IDB | AIRFLOW | OUTDOOR AMBIENT TEMPERATURE | | | | | | | | | | | | 105 | | | | | | | | | | | | 115 | | | | | | | | | | | |
|-------|---------|-----------------------------|------|-------|-------|------|------|-------|-------|------|------|-------|-------|------|------|-------|-------|------|------|-------|-------|------|------|-------|-------|-----|--|--|--|--|--|--|--|--|--|--|--|
| | | 65 | | | | 75 | | | | 85 | | | | 95 | | | | 105 | | | | 115 | | | | | | | | | | | | | | | |
| | | 59 | 63 | 67 | 71 | 59 | 63 | 67 | 71 | 59 | 63 | 67 | 71 | 59 | 63 | 67 | 71 | 59 | 63 | 67 | 71 | 59 | 63 | 67 | 71 | | | | | | | | | | | | |
| 80 | MBh | 23.6 | 24.0 | 24.7 | 25.7 | 23.4 | 23.8 | 24.4 | 25.5 | 22.8 | 23.1 | 23.8 | 24.9 | 21.8 | 22.1 | 22.8 | 23.9 | 20.5 | 20.8 | 21.5 | 22.6 | 19.3 | 19.7 | 20.4 | 21.4 | | | | | | | | | | | | |
| | S/T | 0.88 | 0.81 | 0.68 | 0.5 | 1.00 | 0.82 | 0.69 | 0.5 | 1.00 | 0.84 | 0.71 | 0.6 | 1.00 | 0.86 | 0.73 | 0.6 | 1.00 | 1.00 | 0.75 | 0.6 | 1.00 | 1.00 | 0.80 | 0.7 | | | | | | | | | | | | |
| | ΔT | 25 | 24 | 20 | 17 | 25 | 24 | 20 | 17 | 25 | 24 | 21 | 17 | 25 | 24 | 20 | 17 | 25 | 23 | 20 | 17 | 26 | 24 | 21 | 18 | | | | | | | | | | | | |
| | kW | 1.51 | 1.51 | 1.50 | 1.5 | 1.67 | 1.67 | 1.67 | 1.7 | 1.86 | 1.85 | 1.85 | 1.9 | 2.05 | 2.05 | 2.05 | 2.1 | 2.28 | 2.28 | 2.27 | 2.3 | 2.54 | 2.54 | 2.53 | 2.5 | | | | | | | | | | | | |
| | Amps | 5.3 | 5.2 | 5.2 | 5.3 | 6.0 | 6.0 | 6.0 | 6.0 | 6.8 | 6.8 | 6.8 | 6.9 | 7.8 | 7.8 | 7.7 | 7.8 | 8.8 | 8.8 | 8.8 | 8.8 | 10.0 | 10.0 | 10.0 | 10.0 | | | | | | | | | | | | |
| | Hi PR | 251 | 252 | 254 | 258.0 | 290 | 291 | 293 | 297.2 | 331 | 332 | 334 | 338.2 | 375 | 376 | 378 | 382.4 | 423 | 424 | 426 | 430.0 | 474 | 475 | 476 | 480.8 | | | | | | | | | | | | |
| Lo PR | 122 | 123 | 126 | 131.4 | 129 | 131 | 134 | 138.6 | 135 | 137 | 140 | 145.0 | 141 | 142 | 145 | 150.4 | 146 | 148 | 151 | 155.7 | 153 | 154 | 157 | 162.3 | | | | | | | | | | | | | |
| 800 | MBh | 23.9 | 24.3 | 25.0 | 26.0 | 23.7 | 24.1 | 24.7 | 25.8 | 23.1 | 23.4 | 24.1 | 25.2 | 22.1 | 22.4 | 23.1 | 24.2 | 20.8 | 21.1 | 21.8 | 22.9 | 19.6 | 20.0 | 20.7 | 21.7 | | | | | | | | | | | | |
| | S/T | 1.00 | 0.84 | 0.71 | 0.6 | 1.00 | 0.84 | 0.71 | 0.6 | 1.00 | 0.87 | 0.74 | 0.6 | 1.00 | 0.89 | 0.76 | 0.6 | 1.00 | 1.00 | 0.78 | 0.6 | 1.00 | 1.00 | 0.83 | 0.7 | | | | | | | | | | | | |
| | ΔT | 25 | 23 | 20 | 16 | 25 | 23 | 20 | 16 | 25 | 23 | 20 | 16 | 24 | 23 | 20 | 16 | 24 | 23 | 19 | 16 | 25 | 24 | 20 | 17 | | | | | | | | | | | | |
| | kW | 1.51 | 1.51 | 1.51 | 1.52 | 1.68 | 1.68 | 1.67 | 1.69 | 1.86 | 1.86 | 1.86 | 1.87 | 2.06 | 2.06 | 2.06 | 2.07 | 2.28 | 2.28 | 2.28 | 2.29 | 2.54 | 2.54 | 2.54 | 2.55 | | | | | | | | | | | | |
| | Amps | 5.3 | 5.3 | 5.3 | 5.3 | 6.0 | 6.0 | 6.0 | 6.1 | 6.9 | 6.9 | 6.9 | 6.9 | 7.8 | 7.8 | 7.8 | 7.8 | 8.8 | 8.8 | 8.8 | 8.8 | 10.0 | 10.0 | 10.0 | 10.0 | | | | | | | | | | | | |
| | Hi PR | 253 | 254 | 255 | 259.7 | 292 | 293 | 295 | 298.9 | 333 | 334 | 336 | 339.9 | 377 | 378 | 380 | 384.0 | 425 | 426 | 427 | 431.7 | 475 | 476 | 478 | 482.5 | | | | | | | | | | | | |
| Lo PR | 123 | 125 | 128 | 133.0 | 131 | 132 | 135 | 140.2 | 137 | 138 | 142 | 146.6 | 142 | 144 | 147 | 152.0 | 148 | 149 | 152 | 157.3 | 154 | 156 | 159 | 163.9 | | | | | | | | | | | | | |
| 900 | MBh | 24.4 | 24.7 | 25.4 | 26.5 | 24.2 | 24.5 | 25.2 | 26.3 | 23.6 | 23.9 | 24.6 | 25.7 | 22.6 | 22.9 | 23.6 | 24.6 | 21.3 | 21.6 | 22.3 | 23.4 | 20.1 | 20.4 | 21.1 | 22.2 | | | | | | | | | | | | |
| | S/T | 1.00 | 0.85 | 0.72 | 0.6 | 1.00 | 0.86 | 0.73 | 0.6 | 1.00 | 0.88 | 0.75 | 0.6 | 1.00 | 1.00 | 0.77 | 0.6 | 1.00 | 1.00 | 0.79 | 0.7 | 1.00 | 1.00 | 0.84 | 0.7 | | | | | | | | | | | | |
| | ΔT | 24 | 22 | 19 | 15 | 24 | 22 | 19 | 15 | 24 | 22 | 19 | 16 | 24 | 22 | 19 | 15 | 23 | 22 | 18 | 15 | 24 | 23 | 20 | 16 | | | | | | | | | | | | |
| | kW | 1.52 | 1.52 | 1.52 | 1.5 | 1.68 | 1.68 | 1.68 | 1.7 | 1.87 | 1.87 | 1.86 | 1.9 | 2.07 | 2.07 | 2.06 | 2.1 | 2.29 | 2.29 | 2.29 | 2.3 | 2.55 | 2.55 | 2.55 | 2.6 | | | | | | | | | | | | |
| | Amps | 5.3 | 5.3 | 5.3 | 5.4 | 6.1 | 6.1 | 6.0 | 6.1 | 6.9 | 6.9 | 6.9 | 6.9 | 7.8 | 7.8 | 7.8 | 7.9 | 8.8 | 8.8 | 8.8 | 8.9 | 10.0 | 10.0 | 10.0 | 10.1 | | | | | | | | | | | | |
| | Hi PR | 255 | 256 | 258 | 262.0 | 294 | 295 | 297 | 301.2 | 335 | 336 | 338 | 342.2 | 379 | 380 | 382 | 386.4 | 427 | 428 | 430 | 434.0 | 478 | 479 | 480 | 484.8 | | | | | | | | | | | | |
| Lo PR | 126 | 127 | 130 | 135.4 | 133 | 135 | 138 | 142.6 | 139 | 141 | 144 | 149.0 | 145 | 146 | 149 | 154.4 | 150 | 152 | 155 | 159.7 | 157 | 158 | 161 | 166.3 | | | | | | | | | | | | | |
| 85 | MBh | 24.0 | 24.4 | 25.0 | 26.1 | 23.8 | 24.1 | 24.8 | 25.9 | 23.2 | 23.5 | 24.2 | 25.3 | 22.2 | 22.5 | 23.2 | 24.2 | 20.9 | 21.2 | 21.9 | 23.0 | 19.7 | 20.1 | 20.8 | 21.8 | | | | | | | | | | | | |
| | S/T | 1.00 | 0.91 | 0.78 | 0.6 | 1.00 | 0.91 | 0.78 | 0.6 | 1.00 | 1.00 | 0.81 | 0.7 | 1.00 | 1.00 | 0.83 | 0.7 | 1.00 | 1.00 | 0.85 | 0.7 | 1.00 | 1.00 | 1.00 | 0.8 | | | | | | | | | | | | |
| | ΔT | 29 | 27 | 24 | 20 | 29 | 27 | 24 | 20 | 29 | 27 | 24 | 21 | 29 | 27 | 24 | 20 | 28 | 27 | 23 | 20 | 29 | 28 | 25 | 21 | | | | | | | | | | | | |
| | kW | 1.51 | 1.51 | 1.51 | 1.5 | 1.67 | 1.67 | 1.67 | 1.7 | 1.86 | 1.86 | 1.85 | 1.9 | 2.06 | 2.06 | 2.05 | 2.1 | 2.28 | 2.28 | 2.28 | 2.3 | 2.54 | 2.54 | 2.54 | 2.6 | | | | | | | | | | | | |
| | Amps | 5.3 | 5.3 | 5.2 | 5.3 | 6.0 | 6.0 | 6.0 | 6.1 | 6.9 | 6.9 | 6.8 | 6.9 | 7.8 | 7.8 | 7.8 | 7.8 | 8.8 | 8.8 | 8.8 | 8.8 | 10.0 | 10.0 | 10.0 | 10.0 | | | | | | | | | | | | |
| | Hi PR | 252 | 253 | 255 | 259.2 | 291 | 292 | 294 | 298.3 | 332 | 333 | 335 | 339.4 | 376 | 377 | 379 | 383.5 | 424 | 425 | 427 | 431.1 | 475 | 476 | 478 | 482.0 | | | | | | | | | | | | |
| Lo PR | 124 | 125 | 128 | 133.2 | 131 | 132 | 135 | 140.4 | 137 | 139 | 142 | 146.8 | 143 | 144 | 147 | 152.2 | 148 | 149 | 152 | 157.5 | 154 | 156 | 159 | 164.1 | | | | | | | | | | | | | |
| 800 | MBh | 24.3 | 24.7 | 25.3 | 26.4 | 24.1 | 24.4 | 25.1 | 26.2 | 23.5 | 23.8 | 24.5 | 25.6 | 22.5 | 22.8 | 23.5 | 24.5 | 21.2 | 21.5 | 22.2 | 23.3 | 20.0 | 20.4 | 21.1 | 22.1 | | | | | | | | | | | | |
| | S/T | 1.00 | 0.94 | 0.81 | 0.7 | 1.00 | 0.94 | 0.81 | 0.7 | 1.00 | 1.00 | 0.84 | 0.7 | 1.00 | 1.00 | 0.85 | 0.7 | 1.00 | 1.00 | 0.88 | 0.7 | 1.00 | 1.00 | 1.00 | 0.8 | | | | | | | | | | | | |
| | ΔT | 28 | 26 | 23 | 20 | 28 | 26 | 23 | 20 | 28 | 26 | 23 | 20 | 28 | 26 | 23 | 20 | 28 | 26 | 23 | 19 | 29 | 27 | 24 | 20 | | | | | | | | | | | | |
| | kW | 1.52 | 1.51 | 1.51 | 1.52 | 1.68 | 1.68 | 1.68 | 1.69 | 1.86 | 1.86 | 1.86 | 1.87 | 2.06 | 2.06 | 2.06 | 2.07 | 2.29 | 2.29 | 2.28 | 2.29 | 2.55 | 2.55 | 2.54 | 2.56 | | | | | | | | | | | | |
| | Amps | 5.3 | 5.3 | 5.3 | 5.3 | 6.0 | 6.0 | 6.0 | 6.1 | 6.9 | 6.9 | 6.9 | 6.9 | 7.8 | 7.8 | 7.8 | 7.8 | 8.8 | 8.8 | 8.8 | 8.9 | 10.0 | 10.0 | 10.0 | 10.1 | | | | | | | | | | | | |
| | Hi PR | 254 | 255 | 257 | 260.9 | 293 | 294 | 296 | 300.0 | 334 | 335 | 337 | 341.1 | 378 | 379 | 381 | 385.2 | 426 | 427 | 429 | 432.8 | 477 | 478 | 479 | 483.6 | | | | | | | | | | | | |
| Lo PR | 125 | 127 | 130 | 134.8 | 132 | 134 | 137 | 142.0 | 139 | 140 | 143 | 148.4 | 144 | 146 | 149 | 153.8 | 149 | 151 | 154 | 159.0 | 156 | 158 | 161 | 165.7 | | | | | | | | | | | | | |
| 900 | MBh | 24.8 | 25.1 | 25.8 | 26.9 | 24.6 | 24.9 | 25.6 | 26.7 | 24.0 | 24.3 | 25.0 | 26.1 | 22.9 | 23.3 | 24.0 | 25.0 | 21.7 | 22.0 | 22.7 | 23.7 | 20.5 | 20.8 | 21.5 | 22.6 | | | | | | | | | | | | |
| | S/T | 1.00 | 0.95 | 0.82 | 0.7 | 1.00 | 1.00 | 0.83 | 0.7 | 1.00 | 1.00 | 0.85 | 0.7 | 1.00 | 1.00 | 0.87 | 0.7 | 1.00 | 1.00 | 0.89 | 0.8 | 1.00 | 1.00 | 1.00 | 0.8 | | | | | | | | | | | | |
| | ΔT | 27 | 25 | 22 | 19 | 27 | 25 | 22 | 19 | 27 | 26 | 22 | 19 | 27 | 25 | 22 | 19 | 27 | 25 | 22 | 18 | 28 | 26 | 23 | 20 | | | | | | | | | | | | |
| | kW | 1.52 | 1.52 | 1.52 | 1.5 | 1.69 | 1.69 | 1.68 | 1.7 | 1.87 | 1.87 | 1.87 | 1.9 | 2.07 | 2.07 | 2.07 | 2.1 | 2.29 | 2.29 | 2.29 | 2.3 | 2.55 | 2.55 | 2.55 | 2.6 | | | | | | | | | | | | |
| | Amps | 5.3 | 5.3 | 5.3 | 5.4 | 6.1 | 6.1 | 6.1 | 6.1 | 6.9 | 6.9 | 6.9 | 7.0 | 7.8 | 7.8 | 7.8 | 7.9 | 8.9 | 8.8 | 8.8 | 8.9 | 10.0 | 10.0 | 10.0 | 10.1 | | | | | | | | | | | | |
| | Hi PR | 256 | 257 | 259 | 263.2 | 295 | 296 | 298 | 302.3 | 336 | 337 | 339 | 343.4 | 380 | 381 | 383 | 387.5 | 428 | 429 | 431 | 435.1 | 479 | 480 | 482 | 486.0 | | | | | | | | | | | | |
| Lo PR | 128 | 129 | 132 | 137.2 | 135 | 136 | 139 | 144.4 | 141 | 143 | 146 | 150.8 | 147 | 148 | 151 | 156.2 | 152 | 153 | 156 | 161.5 | 158 | 160 | 163 | 168.1 | | | | | | | | | | | | | |

IDB: Entering Indoor Dry Bulb Temperature
 High and low pressures are measured at the liquid and suction service valves.
 Shaded area reflects AHRI conditions
 kW = Total system power
 Amps = outdoor unit amps (comp.+fan)

EXPANDED COOLING DATA — ASXH3N3010A*/CA*FA3626*6A* + EEP

| IDB | Airflow | Outdoor Ambient Temperature | | | | | | | | | | | | | | | | | | | | | | | |
|-------------|---------|-----------------------------|------|------|-----|------|------|------|-----|------|------|------|-----|------|------|------|-----|------|------|------|-----|------|------|------|----|
| | | 65 | | | | 75 | | | | 85 | | | | 95 | | | | 105 | | | | 115 | | | |
| | | 59 | 63 | 67 | 71 | 59 | 63 | 67 | 71 | 59 | 63 | 67 | 71 | 59 | 63 | 67 | 71 | 59 | 63 | 67 | 71 | 59 | 63 | 67 | 71 |
| 70 | MBh | 28.5 | 28.9 | 29.7 | - | 28.2 | 28.6 | 29.5 | - | 27.5 | 27.9 | 28.7 | - | 26.2 | 26.6 | 27.4 | - | 24.6 | 25.0 | 25.9 | - | 23.2 | 23.6 | 24.4 | - |
| | S/T | 0.56 | 0.48 | 0.34 | - | 0.56 | 0.48 | 0.35 | - | 0.59 | 0.51 | 0.37 | - | 1.00 | 0.53 | 0.39 | - | 1.00 | 0.55 | 0.41 | - | 1.00 | 0.60 | 0.47 | - |
| | ΔT | 20 | 18 | 15 | - | 20 | 18 | 15 | - | 20 | 18 | 15 | - | 20 | 18 | 15 | - | 19 | 18 | 14 | - | 20 | 19 | 15 | - |
| | kW | 1.88 | 1.88 | 1.87 | - | 2.09 | 2.08 | 2.08 | - | 2.32 | 2.32 | 2.31 | - | 2.57 | 2.57 | 2.56 | - | 2.85 | 2.85 | 2.84 | - | 3.18 | 3.18 | 3.17 | - |
| | Amps | 6.5 | 6.5 | 6.5 | - | 7.5 | 7.5 | 7.5 | - | 8.5 | 8.5 | 8.5 | - | 9.7 | 9.7 | 9.7 | - | 11.0 | 11.0 | 10.9 | - | 12.5 | 12.5 | 12.5 | - |
| | Hi PR | 249 | 250 | 252 | - | 288 | 289 | 291 | - | 330 | 331 | 333 | - | 374 | 375 | 377 | - | 422 | 424 | 425 | - | 474 | 475 | 477 | - |
| Lo PR | 124 | 126 | 129 | - | 132 | 133 | 136 | - | 138 | 140 | 143 | - | 144 | 145 | 149 | - | 149 | 151 | 154 | - | 156 | 158 | 161 | - | |
| 1000 | MBh | 28.8 | 29.2 | 30.0 | - | 28.5 | 28.9 | 29.8 | - | 27.8 | 28.2 | 29.0 | - | 26.5 | 26.9 | 27.7 | - | 24.9 | 25.3 | 26.2 | - | 23.5 | 23.9 | 24.7 | - |
| | S/T | 0.63 | 0.55 | 0.42 | - | 0.64 | 0.56 | 0.42 | - | 0.66 | 0.59 | 0.45 | - | 1.00 | 0.61 | 0.47 | - | 1.00 | 0.63 | 0.49 | - | 1.00 | 0.68 | 0.54 | - |
| | ΔT | 19 | 17 | 14 | - | 18 | 17 | 14 | - | 19 | 17 | 14 | - | 18 | 17 | 13 | - | 18 | 17 | 13 | - | 19 | 18 | 14 | - |
| | kW | 1.89 | 1.89 | 1.88 | - | 2.10 | 2.09 | 2.09 | - | 2.33 | 2.33 | 2.32 | - | 2.58 | 2.58 | 2.57 | - | 2.86 | 2.86 | 2.86 | - | 3.19 | 3.19 | 3.18 | - |
| | Amps | 6.6 | 6.6 | 6.6 | - | 7.5 | 7.5 | 7.5 | - | 8.6 | 8.6 | 8.6 | - | 9.7 | 9.7 | 9.7 | - | 11.0 | 11.0 | 11.0 | - | 12.5 | 12.5 | 12.5 | - |
| | Hi PR | 251 | 252 | 254 | - | 290 | 292 | 293 | - | 332 | 333 | 335 | - | 376 | 378 | 379 | - | 425 | 426 | 427 | - | 476 | 477 | 479 | - |
| Lo PR | 126 | 127 | 130 | - | 133 | 135 | 138 | - | 140 | 141 | 145 | - | 145 | 147 | 150 | - | 151 | 153 | 156 | - | 158 | 159 | 163 | - | |
| 1105 | MBh | 29.1 | 29.5 | 30.3 | - | 28.8 | 29.2 | 30.1 | - | 28.1 | 28.5 | 29.3 | - | 26.8 | 27.2 | 28.0 | - | 25.2 | 25.6 | 26.5 | - | 23.8 | 24.2 | 25.0 | - |
| | S/T | 0.67 | 0.60 | 0.46 | - | 0.68 | 0.60 | 0.47 | - | 0.71 | 0.63 | 0.49 | - | 1.00 | 0.65 | 0.51 | - | 1.00 | 0.67 | 0.53 | - | 1.00 | 0.72 | 0.59 | - |
| | ΔT | 18 | 16 | 13 | - | 18 | 16 | 13 | - | 18 | 16 | 13 | - | 18 | 16 | 13 | - | 17 | 16 | 12 | - | 19 | 17 | 14 | - |
| | kW | 1.90 | 1.89 | 1.89 | - | 2.10 | 2.10 | 2.10 | - | 2.34 | 2.33 | 2.33 | - | 2.59 | 2.59 | 2.58 | - | 2.87 | 2.87 | 2.86 | - | 3.20 | 3.20 | 3.19 | - |
| | Amps | 6.6 | 6.6 | 6.6 | - | 7.6 | 7.6 | 7.5 | - | 8.6 | 8.6 | 8.6 | - | 9.8 | 9.8 | 9.8 | - | 11.1 | 11.1 | 11.0 | - | 12.6 | 12.6 | 12.5 | - |
| | Hi PR | 253 | 254 | 255 | - | 292 | 293 | 295 | - | 333 | 335 | 336 | - | 378 | 379 | 381 | - | 426 | 427 | 429 | - | 477 | 478 | 480 | - |
| Lo PR | 127 | 129 | 132 | - | 135 | 136 | 139 | - | 141 | 143 | 146 | - | 147 | 148 | 152 | - | 152 | 154 | 157 | - | 159 | 161 | 164 | - | |

| IDB | Airflow | Outdoor Ambient Temperature | | | | | | | | | | | | | | | | | | | | | | | |
|-------------|---------|-----------------------------|------|-------|-------|------|------|-------|-------|------|------|-------|-------|------|------|-------|-------|------|------|-------|-------|------|------|-------|-------|
| | | 65 | | | | 75 | | | | 85 | | | | 95 | | | | 105 | | | | 115 | | | |
| | | 59 | 63 | 67 | 71 | 59 | 63 | 67 | 71 | 59 | 63 | 67 | 71 | 59 | 63 | 67 | 71 | 59 | 63 | 67 | 71 | 59 | 63 | 67 | 71 |
| 75 | MBh | 28.5 | 28.9 | 29.8 | 31.1 | 28.2 | 28.6 | 29.5 | 30.8 | 27.5 | 27.9 | 28.7 | 30.1 | 26.2 | 26.6 | 27.5 | 28.8 | 24.6 | 25.0 | 25.9 | 27.2 | 23.2 | 23.6 | 24.4 | 25.8 |
| | S/T | 0.69 | 0.61 | 0.47 | 0.3 | 0.69 | 0.62 | 0.48 | 0.3 | 1.00 | 0.72 | 0.58 | 0.4 | 1.00 | 0.66 | 0.52 | 0.4 | 1.00 | 0.68 | 0.55 | 0.4 | 1.00 | 1.00 | 0.60 | 0.5 |
| | ΔT | 23 | 22 | 18 | 15 | 23 | 22 | 18 | 15 | 24 | 22 | 19 | 15 | 23 | 22 | 18 | 15 | 23 | 21 | 18 | 15 | 24 | 23 | 19 | 16 |
| | kW | 1.88 | 1.87 | 1.87 | 1.9 | 2.08 | 2.08 | 2.08 | 2.1 | 2.32 | 2.31 | 2.31 | 2.3 | 2.57 | 2.57 | 2.56 | 2.6 | 2.85 | 2.85 | 2.84 | 2.9 | 3.18 | 3.18 | 3.17 | 3.2 |
| | Amps | 6.5 | 6.5 | 6.5 | 6.6 | 7.5 | 7.5 | 7.4 | 7.5 | 8.5 | 8.5 | 8.5 | 8.6 | 9.7 | 9.7 | 9.7 | 9.7 | 11.0 | 11.0 | 10.9 | 11.0 | 12.5 | 12.5 | 12.4 | 12.5 |
| | Hi PR | 249 | 250 | 252 | 256.3 | 289 | 290 | 291 | 295.8 | 330 | 331 | 333 | 337.2 | 375 | 376 | 377 | 381.8 | 423 | 424 | 426 | 429.9 | 474 | 475 | 477 | 481.2 |
| Lo PR | 124 | 126 | 129 | 134.1 | 132 | 133 | 136 | 141.7 | 138 | 140 | 143 | 148.3 | 144 | 145 | 149 | 154.0 | 149 | 151 | 154 | 159.5 | 156 | 158 | 161 | 166.4 | |
| 1000 | MBh | 28.8 | 29.2 | 30.1 | 31.4 | 28.5 | 28.9 | 29.8 | 31.1 | 27.8 | 28.2 | 29.0 | 30.4 | 26.5 | 26.9 | 27.8 | 29.1 | 24.9 | 25.3 | 26.2 | 27.5 | 23.5 | 23.9 | 24.7 | 26.1 |
| | S/T | 0.76 | 0.68 | 0.55 | 0.4 | 1.00 | 0.69 | 0.55 | 0.4 | 1.00 | 0.72 | 0.58 | 0.4 | 1.00 | 0.74 | 0.60 | 0.5 | 1.00 | 0.76 | 0.62 | 0.5 | 1.00 | 1.00 | 0.67 | 0.5 |
| | ΔT | 22 | 21 | 17 | 14 | 22 | 21 | 17 | 14 | 23 | 21 | 18 | 14 | 22 | 21 | 17 | 14 | 22 | 20 | 17 | 14 | 23 | 21 | 18 | 15 |
| | kW | 1.89 | 1.89 | 1.88 | 1.90 | 2.10 | 2.09 | 2.09 | 2.11 | 2.33 | 2.33 | 2.32 | 2.34 | 2.58 | 2.58 | 2.57 | 2.59 | 2.86 | 2.86 | 2.85 | 2.87 | 3.19 | 3.19 | 3.18 | 3.20 |
| | Amps | 6.6 | 6.6 | 6.5 | 6.6 | 7.5 | 7.5 | 7.5 | 7.6 | 8.6 | 8.6 | 8.6 | 8.6 | 9.7 | 9.7 | 9.7 | 9.8 | 11.0 | 11.0 | 11.0 | 11.1 | 12.5 | 12.5 | 12.5 | 12.6 |
| | Hi PR | 251 | 252 | 254 | 258.4 | 291 | 292 | 294 | 297.9 | 332 | 333 | 335 | 339.3 | 377 | 378 | 380 | 383.9 | 425 | 426 | 428 | 431.9 | 476 | 477 | 479 | 483.2 |
| Lo PR | 126 | 127 | 130 | 135.7 | 133 | 135 | 138 | 143.3 | 140 | 141 | 145 | 149.9 | 146 | 147 | 150 | 155.6 | 151 | 153 | 156 | 161.1 | 158 | 160 | 163 | 168.0 | |
| 1105 | MBh | 29.1 | 29.5 | 30.3 | 31.7 | 28.8 | 29.2 | 30.1 | 31.4 | 28.1 | 28.5 | 29.3 | 30.6 | 26.8 | 27.2 | 28.1 | 29.4 | 25.2 | 25.6 | 26.5 | 27.8 | 23.8 | 24.2 | 25.0 | 26.3 |
| | S/T | 0.81 | 0.73 | 0.59 | 0.4 | 1.00 | 0.73 | 0.60 | 0.5 | 1.00 | 0.76 | 0.62 | 0.5 | 1.00 | 0.78 | 0.64 | 0.5 | 1.00 | 0.80 | 0.66 | 0.5 | 1.00 | 1.00 | 0.72 | 0.6 |
| | ΔT | 22 | 20 | 17 | 13 | 22 | 20 | 17 | 13 | 22 | 20 | 17 | 13 | 22 | 20 | 17 | 13 | 21 | 20 | 16 | 13 | 22 | 21 | 17 | 14 |
| | kW | 1.90 | 1.89 | 1.89 | 1.9 | 2.10 | 2.10 | 2.10 | 2.1 | 2.34 | 2.33 | 2.33 | 2.3 | 2.59 | 2.58 | 2.58 | 2.6 | 2.87 | 2.87 | 2.86 | 2.9 | 3.20 | 3.19 | 3.19 | 3.2 |
| | Amps | 6.6 | 6.6 | 6.6 | 6.7 | 7.6 | 7.5 | 7.5 | 7.6 | 8.6 | 8.6 | 8.6 | 8.7 | 9.8 | 9.8 | 9.7 | 9.8 | 11.1 | 11.0 | 11.0 | 11.1 | 12.6 | 12.6 | 12.5 | 12.6 |
| | Hi PR | 253 | 254 | 256 | 260.0 | 292 | 293 | 295 | 299.5 | 334 | 335 | 337 | 340.9 | 378 | 379 | 381 | 385.5 | 426 | 427 | 429 | 433.5 | 478 | 479 | 480 | 484.8 |
| Lo PR | 127 | 129 | 132 | 137.1 | 135 | 136 | 139 | 144.7 | 141 | 143 | 146 | 151.3 | 147 | 148 | 152 | 157.0 | 152 | 154 | 157 | 162.5 | 159 | 161 | 164 | 169.4 | |

IDB: Entering Indoor Dry Bulb Temperature
 High and low pressures are measured at the liquid and suction service valves.
 Shaded area reflects ACCA (TVA) conditions
 kW = Total system power
 Amps = outdoor unit amps (comp. +fan)

EXPANDED COOLING DATA — ASXH3N3010A*/CA*FA3626*6A* + EEP (CONT.)

| IDB | Airflow | Outdoor Ambient Temperature | | | | | | | | | | | | 105 | | | | | | | | | | | | 115 | | | | | | | | | | | | | | | | | | | | | | | |
|-------------|---------|-----------------------------|------|-------|-------|------|------|-------|-------|------|------|-------|-------|------|------|-------|-------|------|------|-------|-------|------|------|-------|-------|------|------|-------|-------|------|------|-------|-------|------|------|-------|-------|------|------|-------|-------|------|------|-------|-------|------|------|-------|-------|
| | | 65 | | | | | | 75 | | | | | | 85 | | | | | | 95 | | | | | | 105 | | | | | | 115 | | | | | | | | | | | | | | | | | |
| | | 59 | 63 | 67 | 71 | 75 | 79 | 59 | 63 | 67 | 71 | 75 | 79 | 59 | 63 | 67 | 71 | 75 | 79 | 59 | 63 | 67 | 71 | 75 | 79 | 59 | 63 | 67 | 71 | 75 | 79 | 59 | 63 | 67 | 71 | 75 | 79 | | | | | | | | | | | | |
| 80 | MBh | 28.6 | 29.0 | 29.9 | 31.2 | 28.4 | 28.8 | 29.6 | 31.0 | 27.6 | 28.0 | 28.9 | 30.2 | 26.3 | 26.7 | 27.6 | 28.9 | 24.8 | 25.2 | 26.0 | 27.3 | 23.3 | 23.7 | 24.6 | 25.9 | 28.6 | 29.0 | 29.9 | 31.2 | 28.4 | 28.8 | 29.6 | 31.0 | 27.6 | 28.0 | 28.9 | 30.2 | 26.3 | 26.7 | 27.6 | 28.9 | 24.8 | 25.2 | 26.0 | 27.3 | 23.3 | 23.7 | 24.6 | 25.9 |
| | S/T | 1.00 | 0.74 | 0.60 | 0.5 | 1.00 | 0.74 | 0.61 | 0.5 | 1.00 | 0.77 | 0.63 | 0.5 | 1.00 | 1.00 | 0.65 | 0.5 | 1.00 | 1.00 | 0.67 | 0.5 | 1.00 | 1.00 | 0.72 | 0.6 | 1.00 | 0.74 | 0.60 | 0.5 | 1.00 | 0.74 | 0.61 | 0.5 | 1.00 | 1.00 | 0.65 | 0.5 | 1.00 | 1.00 | 0.67 | 0.5 | 1.00 | 1.00 | 0.72 | 0.6 | | | | |
| | ΔT | 27 | 26 | 22 | 19 | 27 | 26 | 22 | 19 | 28 | 26 | 23 | 19 | 27 | 26 | 22 | 19 | 27 | 25 | 22 | 19 | 28 | 26 | 23 | 20 | 27 | 26 | 22 | 19 | 27 | 26 | 22 | 19 | 28 | 26 | 23 | 19 | 27 | 25 | 22 | 19 | 28 | 26 | 23 | 20 | | | | |
| | kW | 1.88 | 1.88 | 1.87 | 1.9 | 2.08 | 2.08 | 2.08 | 2.1 | 2.32 | 2.32 | 2.31 | 2.3 | 2.57 | 2.57 | 2.56 | 2.6 | 2.85 | 2.85 | 2.84 | 2.9 | 3.18 | 3.18 | 3.17 | 3.2 | 1.88 | 1.88 | 1.87 | 1.9 | 2.08 | 2.08 | 2.08 | 2.1 | 2.32 | 2.32 | 2.31 | 2.3 | 2.57 | 2.57 | 2.56 | 2.6 | 2.85 | 2.85 | 2.84 | 2.9 | 3.18 | 3.18 | 3.17 | 3.2 |
| | Amps | 6.5 | 6.5 | 6.5 | 6.6 | 7.5 | 7.5 | 7.4 | 7.5 | 8.5 | 8.5 | 8.5 | 8.6 | 9.7 | 9.7 | 9.7 | 9.7 | 11.0 | 11.0 | 11.0 | 11.0 | 12.5 | 12.5 | 12.5 | 12.6 | 6.5 | 6.5 | 6.5 | 6.6 | 7.5 | 7.5 | 7.4 | 7.5 | 8.5 | 8.5 | 8.5 | 8.6 | 9.7 | 9.7 | 9.7 | 9.7 | 11.0 | 11.0 | 11.0 | 11.0 | 12.5 | 12.5 | 12.5 | 12.6 |
| | Hi PR | 250 | 251 | 252 | 256.8 | 289 | 290 | 292 | 296.3 | 333 | 332 | 333 | 337.7 | 375 | 376 | 378 | 382.3 | 423 | 424 | 426 | 430.3 | 474 | 476 | 477 | 481.6 | 250 | 251 | 252 | 256.8 | 289 | 290 | 292 | 296.3 | 333 | 332 | 333 | 337.7 | 375 | 376 | 378 | 382.3 | 423 | 424 | 426 | 430.3 | 474 | 476 | 477 | 481.6 |
| Lo PR | 125 | 126 | 129 | 134.6 | 132 | 134 | 137 | 142.2 | 139 | 140 | 144 | 148.9 | 144 | 146 | 149 | 154.5 | 150 | 152 | 155 | 160.1 | 157 | 158 | 162 | 167.0 | 125 | 126 | 129 | 134.6 | 132 | 134 | 137 | 142.2 | 139 | 140 | 144 | 148.9 | 144 | 146 | 149 | 154.5 | 150 | 152 | 155 | 160.1 | 157 | 158 | 162 | 167.0 | |
| 1000 | MBh | 28.9 | 29.3 | 30.2 | 31.5 | 28.7 | 29.1 | 29.9 | 31.3 | 27.9 | 28.3 | 29.2 | 30.5 | 26.6 | 27.1 | 27.9 | 29.2 | 25.1 | 25.5 | 26.3 | 27.6 | 23.6 | 24.0 | 24.9 | 26.2 | 28.9 | 29.3 | 30.2 | 31.5 | 28.7 | 29.1 | 29.9 | 31.3 | 27.9 | 28.3 | 29.2 | 30.5 | 26.6 | 27.1 | 27.9 | 29.2 | 25.1 | 25.5 | 26.3 | 27.6 | 23.6 | 24.0 | 24.9 | 26.2 |
| | S/T | 1.00 | 0.81 | 0.67 | 0.5 | 1.00 | 0.82 | 0.68 | 0.5 | 1.00 | 0.84 | 0.71 | 0.6 | 1.00 | 1.00 | 0.73 | 0.6 | 1.00 | 1.00 | 0.75 | 0.6 | 1.00 | 1.00 | 0.80 | 0.7 | 1.00 | 0.81 | 0.67 | 0.5 | 1.00 | 0.82 | 0.68 | 0.5 | 1.00 | 0.84 | 0.71 | 0.6 | 1.00 | 1.00 | 0.75 | 0.6 | 1.00 | 1.00 | 0.80 | 0.7 | | | | |
| | ΔT | 26 | 24 | 21 | 18 | 26 | 24 | 21 | 18 | 26 | 25 | 21 | 18 | 26 | 24 | 21 | 18 | 26 | 24 | 21 | 18 | 27 | 25 | 22 | 19 | 26 | 24 | 21 | 18 | 26 | 24 | 21 | 18 | 26 | 25 | 21 | 18 | 26 | 24 | 21 | 18 | 27 | 25 | 22 | 19 | | | | |
| | kW | 1.89 | 1.89 | 1.88 | 1.90 | 2.10 | 2.09 | 2.09 | 2.11 | 2.33 | 2.33 | 2.32 | 2.34 | 2.58 | 2.58 | 2.57 | 2.59 | 2.86 | 2.86 | 2.86 | 2.87 | 3.19 | 3.19 | 3.18 | 3.20 | 1.89 | 1.89 | 1.88 | 1.90 | 2.10 | 2.09 | 2.09 | 2.11 | 2.33 | 2.33 | 2.32 | 2.34 | 2.58 | 2.58 | 2.57 | 2.59 | 2.86 | 2.86 | 2.86 | 2.87 | 3.19 | 3.19 | 3.18 | 3.20 |
| | Amps | 6.6 | 6.6 | 6.6 | 6.6 | 7.5 | 7.5 | 7.5 | 7.6 | 8.6 | 8.6 | 8.6 | 8.6 | 9.7 | 9.7 | 9.7 | 9.7 | 11.0 | 11.0 | 11.0 | 11.1 | 12.5 | 12.5 | 12.5 | 12.6 | 6.6 | 6.6 | 6.6 | 6.6 | 7.5 | 7.5 | 7.5 | 7.6 | 8.6 | 8.6 | 8.6 | 8.6 | 9.7 | 9.7 | 9.7 | 9.7 | 11.0 | 11.0 | 11.0 | 11.1 | 12.5 | 12.5 | 12.5 | 12.6 |
| | Hi PR | 252 | 253 | 254 | 258.8 | 291 | 292 | 294 | 298.4 | 333 | 334 | 335 | 339.8 | 377 | 378 | 380 | 384.3 | 425 | 426 | 428 | 432.4 | 476 | 478 | 479 | 483.7 | 252 | 253 | 254 | 258.8 | 291 | 292 | 294 | 298.4 | 333 | 334 | 335 | 339.8 | 377 | 378 | 380 | 384.3 | 425 | 426 | 428 | 432.4 | 476 | 478 | 479 | 483.7 |
| Lo PR | 126 | 128 | 131 | 136.2 | 134 | 135 | 138 | 143.8 | 140 | 142 | 145 | 150.5 | 146 | 148 | 151 | 156.1 | 152 | 153 | 156 | 161.7 | 159 | 160 | 163 | 168.6 | 126 | 128 | 131 | 136.2 | 134 | 135 | 138 | 143.8 | 140 | 142 | 145 | 150.5 | 146 | 148 | 151 | 156.1 | 152 | 153 | 156 | 161.7 | 159 | 160 | 163 | 168.6 | |
| 1105 | MBh | 29.2 | 29.6 | 30.5 | 31.8 | 29.0 | 29.4 | 30.2 | 31.5 | 28.2 | 28.6 | 29.5 | 30.8 | 26.9 | 27.3 | 28.2 | 29.5 | 25.4 | 25.8 | 26.6 | 27.9 | 23.9 | 24.3 | 25.2 | 26.5 | 29.2 | 29.6 | 30.5 | 31.8 | 29.0 | 29.4 | 30.2 | 31.5 | 28.2 | 28.6 | 29.5 | 30.8 | 26.9 | 27.3 | 28.2 | 29.5 | 25.4 | 25.8 | 26.6 | 27.9 | 23.9 | 24.3 | 25.2 | 26.5 |
| | S/T | 1.00 | 0.86 | 0.72 | 0.6 | 1.00 | 0.86 | 0.72 | 0.6 | 1.00 | 0.89 | 0.75 | 0.6 | 1.00 | 1.00 | 0.77 | 0.6 | 1.00 | 1.00 | 0.79 | 0.6 | 1.00 | 1.00 | 0.84 | 0.7 | 1.00 | 0.86 | 0.72 | 0.6 | 1.00 | 0.86 | 0.72 | 0.6 | 1.00 | 0.89 | 0.75 | 0.6 | 1.00 | 1.00 | 0.77 | 0.6 | 1.00 | 1.00 | 0.79 | 0.6 | 1.00 | 1.00 | 0.84 | 0.7 |
| | ΔT | 25 | 24 | 20 | 17 | 25 | 24 | 20 | 17 | 26 | 24 | 21 | 17 | 25 | 24 | 20 | 17 | 25 | 23 | 20 | 17 | 26 | 24 | 21 | 18 | 25 | 24 | 20 | 17 | 25 | 24 | 20 | 17 | 26 | 24 | 21 | 17 | 25 | 23 | 20 | 17 | 26 | 24 | 21 | 18 | 27 | 25 | 22 | 19 |
| | kW | 1.90 | 1.89 | 1.89 | 1.9 | 2.10 | 2.10 | 2.10 | 2.1 | 2.34 | 2.33 | 2.33 | 2.3 | 2.59 | 2.59 | 2.58 | 2.58 | 2.87 | 2.87 | 2.86 | 2.9 | 3.20 | 3.20 | 3.19 | 3.2 | 1.90 | 1.89 | 1.89 | 1.9 | 2.10 | 2.10 | 2.10 | 2.1 | 2.34 | 2.33 | 2.33 | 2.3 | 2.59 | 2.59 | 2.58 | 2.58 | 2.87 | 2.87 | 2.86 | 2.9 | 3.20 | 3.20 | 3.19 | 3.2 |
| | Amps | 6.6 | 6.6 | 6.6 | 6.7 | 7.6 | 7.6 | 7.5 | 7.6 | 8.6 | 8.6 | 8.6 | 8.7 | 9.8 | 9.8 | 9.8 | 9.8 | 11.1 | 11.1 | 11.0 | 11.1 | 12.6 | 12.6 | 12.5 | 12.6 | 6.6 | 6.6 | 6.6 | 6.7 | 7.6 | 7.6 | 7.5 | 7.6 | 8.6 | 8.6 | 8.6 | 8.7 | 9.8 | 9.8 | 9.8 | 9.8 | 11.1 | 11.1 | 11.0 | 11.1 | 12.6 | 12.6 | 12.5 | 12.6 |
| | Hi PR | 253 | 254 | 256 | 260.5 | 293 | 294 | 296 | 300.0 | 334 | 335 | 337 | 341.4 | 379 | 380 | 382 | 385.9 | 427 | 428 | 430 | 434.0 | 478 | 479 | 481 | 485.3 | 253 | 254 | 256 | 260.5 | 293 | 294 | 296 | 300.0 | 334 | 335 | 337 | 341.4 | 379 | 380 | 382 | 385.9 | 427 | 428 | 430 | 434.0 | 478 | 479 | 481 | 485.3 |
| Lo PR | 128 | 129 | 132 | 137.6 | 135 | 137 | 140 | 145.2 | 142 | 143 | 147 | 151.9 | 147 | 149 | 152 | 157.5 | 153 | 155 | 158 | 163.1 | 160 | 161 | 165 | 170.0 | 128 | 129 | 132 | 137.6 | 135 | 137 | 140 | 145.2 | 142 | 143 | 147 | 151.9 | 147 | 149 | 152 | 157.5 | 153 | 155 | 158 | 163.1 | 160 | 161 | 165 | 170.0 | |

| IDB | Airflow | Outdoor Ambient Temperature | | | | | | | | | | | | 105 | | | | | | | | | | | | 115 | | | | | | | | | | | | | | | | | | | | | | | |
|------------|---------|-----------------------------|------|-------|-------|------|------|-------|-------|------|------|-------|-------|------|------|-------|-------|------|------|------|-------|------|------|------|-------|------|------|------|-------|------|------|------|-------|------|------|------|-------|------|------|------|-------|------|------|------|-------|------|------|------|-------|
| | | 65 | | | | | | 75 | | | | | | 85 | | | | | | 95 | | | | | | 105 | | | | | | 115 | | | | | | | | | | | | | | | | | |
| | | 59 | 63 | 67 | 71 | 75 | 79 | 59 | 63 | 67 | 71 | 75 | 79 | 59 | 63 | 67 | 71 | 75 | 79 | 59 | 63 | 67 | 71 | 75 | 79 | 59 | 63 | 67 | 71 | 75 | 79 | 59 | 63 | 67 | 71 | 75 | 79 | | | | | | | | | | | | |
| 875 | MBh | 29.1 | 29.5 | 30.4 | 31.7 | 28.9 | 29.3 | 30.1 | 31.4 | 28.1 | 28.5 | 29.4 | 30.7 | 26.8 | 27.2 | 28.1 | 29.4 | 25.3 | 25.7 | 26.5 | 27.8 | 23.8 | 24.2 | 25.1 | 26.4 | 29.1 | 29.5 | 30.4 | 31.7 | 28.9 | 29.3 | 30.1 | 31.4 | 28.1 | 28.5 | 29.4 | 30.7 | 26.8 | 27.2 | 28.1 | 29.4 | 25.3 | 25.7 | 26.5 | 27.8 | 23.8 | 24.2 | 25.1 | 26.4 |
| | S/T | 1.00 | 0.84 | 0.70 | 0.6 | 1.00 | 1.00 | 0.71 | 0.6 | 1.00 | 1.00 | 0.73 | 0.6 | 1.00 | 1.00 | 0.75 | 0.6 | 1.00 | 1.00 | 0.78 | 0.6 | 1.00 | 1.00 | 0.77 | 0.6 | 1.00 | 0.84 | 0.70 | 0.6 | 1.00 | 1.00 | 0.71 | 0.6 | 1.00 | 1.00 | 0.73 | 0.6 | 1.00 | 1.00 | 0.75 | 0.6 | 1.00 | 1.00 | 0.77 | 0.6 | | | | |
| | ΔT | 31 | 29 | 26 | 22 | 31 | 29 | 26 | 22 | 31 | 29 | 26 | 23 | 31 | 29 | 26 | 22 | 30 | 29 | 25 | 22 | 32 | 30 | 27 | 23 | 31 | 29 | 26 | 22 | 31 | 29 | 26 | 22 | 31 | 29 | 26 | 23 | 31 | 29 | 25 | 22 | 32 | 30 | 27 | 23 | | | | |
| | kW | 1.88 | 1.88 | 1.88 | 1.9 | 2.09 | 2.09 | 2.08 | 2.1 | 2.32 | 2.32 | 2.32 | 2.3 | 2.57 | 2.57 | 2.57 | 2.6 | 2.85 | 2.85 | 2.85 | 2.9 | 3.18 | 3.18 | 3.18 | 3.2 | 1.88 | 1.88 | 1.88 | 1.9 | 2.09 | 2.09 | 2.08 | 2.1 | 2.32 | 2.32 | 2.32 | 2.3 | 2.57 | 2.57 | 2.57 | 2.6 | 2.85 | 2.85 | 2.85 | 2.9 | 3.18 | 3.18 | 3.18 | 3.2 |
| | Amps | 6.5 | 6.5 | 6.5 | 6.6 | 7.5 | 7.5 | 7.5 | 7.5 | 8.6 | 8.5 | 8.5 | 8.6 | 9.7 | 9.7 | 9.7 | 9.7 | 11.0 | 11.0 | 11.0 | 11.0 | 12.5 | 12.5 | 12.5 | 12.5 | 6.5 | 6.5 | 6.5 | 6.6 | 7.5 | 7.5 | 7.5 | 7.5 | 8.6 | 8.5 | 8.5 | 8.6 | 9.7 | 9.7 | 9.7 | 9.7 | 11.0 | 11.0 | 11.0 | 11.0 | 12.5 | 12.5 | 12.5 | 12.5 |
| | Hi PR | 251 | 252 | 254 | 258.0 | 290 | 291 | 293 | 297.5 | 332 | 333 | 335 | 338.9 | 376 | 377 | 379 | 383.5 | 424 | 425 | 427 | 431.5 | 476 | 477 | 478 | 482.8 | 251 | 252 | 254 | 258.0 | 290 | 291 | 293 | 297.5 | 332 | 333 | 335 | 338.9 | 376 | 377 | 379 | 383.5 | 424 | 425 | 427 | 431.5 | 476 | 477 | 478 | 482.8 |
| Lo PR | 126 | 128 | 131 | 136.5 | 134 | 136 | 139 | 144.1 | 141 | 142 | 145 | 150.8 | 146 | 148 | 151 | 156.4 | 152 | 153 | 157 | | | | | | | | | | | | | | | | | | | | | | | | | | | | | | |

EXPANDED COOLING DATA — ASXH3N3610A*/CA*FA4226*6A* + EEP

| IDB | AIRFLOW | OUTDOOR AMBIENT TEMPERATURE | | | | | | | | | | | | | | | | | | | | | | | |
|-----------|---------|-----------------------------|------|------|------|------|------|------|------|------|------|------|------|------|------|------|------|------|------|------|------|------|------|------|----|
| | | 65 | | | | 75 | | | | 85 | | | | 95 | | | | 105 | | | | 115 | | | |
| | | 59 | 63 | 67 | 71 | 59 | 63 | 67 | 71 | 59 | 63 | 67 | 71 | 59 | 63 | 67 | 71 | 59 | 63 | 67 | 71 | 59 | 63 | 67 | 71 |
| 70 | MBh | 34.6 | 35.1 | 36.2 | - | 34.3 | 34.8 | 35.9 | - | 33.4 | 33.9 | 34.9 | - | 31.9 | 32.3 | 33.4 | - | 29.9 | 30.4 | 31.5 | - | 28.2 | 28.7 | 29.7 | - |
| | S/T | 0.58 | 0.50 | 0.36 | - | 0.58 | 0.51 | 0.37 | - | 0.61 | 0.53 | 0.40 | - | 0.63 | 0.55 | 0.42 | - | 1.00 | 0.57 | 0.44 | - | 1.00 | 0.63 | 0.49 | - |
| | ΔT | 21 | 19 | 16 | - | 21 | 19 | 16 | - | 21 | 19 | 16 | - | 21 | 19 | 16 | - | 21 | 19 | 15 | - | 22 | 20 | 17 | - |
| | kW | 2.21 | 2.21 | 2.21 | - | 2.47 | 2.47 | 2.46 | - | 2.75 | 2.75 | 2.75 | - | 3.06 | 3.06 | 3.06 | - | 3.41 | 3.41 | 3.40 | - | 3.82 | 3.81 | 3.81 | - |
| | Amps | 7.9 | 7.9 | 7.8 | - | 9.0 | 9.0 | 9.0 | - | 10.3 | 10.3 | 10.3 | - | 11.8 | 11.8 | 11.7 | - | 13.3 | 13.3 | 13.3 | - | 15.2 | 15.2 | 15.2 | - |
| | Hi PR | 256 | 257 | 259 | - | 296 | 297 | 299 | - | 339 | 340 | 341 | - | 384 | 385 | 387 | - | 433 | 435 | 436 | - | 486 | 487 | 489 | - |
| | Lo PR | 121 | 123 | 126 | - | 129 | 130 | 133 | - | 135 | 137 | 140 | - | 141 | 142 | 145 | - | 146 | 148 | 151 | - | 153 | 155 | 158 | - |
| | MBh | 35.3 | 35.7 | 36.8 | - | 34.9 | 35.4 | 36.5 | - | 34.0 | 34.5 | 35.6 | - | 32.5 | 33.0 | 34.0 | - | 30.6 | 31.0 | 32.1 | - | 28.8 | 29.3 | 30.3 | - |
| | S/T | 0.67 | 0.59 | 0.46 | - | 0.67 | 0.60 | 0.46 | - | 0.70 | 0.62 | 0.49 | - | 1.00 | 0.64 | 0.51 | - | 1.00 | 0.67 | 0.53 | - | 1.00 | 0.72 | 0.58 | - |
| | ΔT | 19 | 18 | 14 | - | 19 | 17 | 14 | - | 20 | 18 | 14 | - | 19 | 17 | 14 | - | 19 | 17 | 14 | - | 20 | 18 | 15 | - |
| kW | 2.23 | 2.23 | 2.23 | - | 2.49 | 2.49 | 2.48 | - | 2.77 | 2.77 | 2.77 | - | 3.08 | 3.08 | 3.08 | - | 3.43 | 3.43 | 3.42 | - | 3.83 | 3.83 | 3.83 | - | |
| Amps | 8.0 | 7.9 | 7.9 | - | 9.1 | 9.1 | 9.1 | - | 10.4 | 10.4 | 10.4 | - | 11.9 | 11.8 | 11.8 | - | 13.4 | 13.4 | 13.4 | - | 15.3 | 15.3 | 15.3 | - | |
| Hi PR | 259 | 260 | 262 | - | 299 | 300 | 302 | - | 342 | 343 | 345 | - | 387 | 388 | 390 | - | 437 | 438 | 439 | - | 489 | 490 | 492 | - | |
| Lo PR | 124 | 125 | 129 | - | 131 | 133 | 136 | - | 138 | 139 | 142 | - | 143 | 145 | 148 | - | 149 | 150 | 153 | - | 155 | 157 | 160 | - | |
| MBh | 35.5 | 36.0 | 37.0 | - | 35.2 | 35.7 | 36.7 | - | 34.3 | 34.8 | 35.8 | - | 32.7 | 33.2 | 34.3 | - | 30.8 | 31.3 | 32.4 | - | 29.1 | 29.6 | 30.6 | - | |
| S/T | 0.69 | 0.61 | 0.48 | - | 0.69 | 0.62 | 0.48 | - | 0.72 | 0.64 | 0.51 | - | 1.00 | 0.66 | 0.53 | - | 1.00 | 0.69 | 0.55 | - | 1.00 | 0.74 | 0.60 | - | |
| ΔT | 19 | 17 | 13 | - | 19 | 17 | 13 | - | 19 | 17 | 14 | - | 19 | 17 | 13 | - | 19 | 17 | 13 | - | 20 | 18 | 14 | - | |
| kW | 2.24 | 2.24 | 2.23 | - | 2.49 | 2.49 | 2.49 | - | 2.78 | 2.78 | 2.77 | - | 3.09 | 3.09 | 3.08 | - | 3.43 | 3.43 | 3.43 | - | 3.84 | 3.84 | 3.83 | - | |
| Amps | 8.0 | 8.0 | 8.0 | - | 9.2 | 9.1 | 9.1 | - | 10.5 | 10.5 | 10.4 | - | 11.9 | 11.9 | 11.8 | - | 13.5 | 13.5 | 13.4 | - | 15.3 | 15.3 | 15.3 | - | |
| Hi PR | 260 | 261 | 263 | - | 300 | 301 | 303 | - | 343 | 344 | 346 | - | 388 | 389 | 391 | - | 438 | 439 | 440 | - | 490 | 491 | 493 | - | |
| Lo PR | 125 | 126 | 129 | - | 132 | 134 | 137 | - | 139 | 140 | 143 | - | 144 | 146 | 149 | - | 150 | 151 | 154 | - | 156 | 158 | 161 | - | |

| IDB | AIRFLOW | OUTDOOR AMBIENT TEMPERATURE | | | | | | | | | | | | | | | | | | | | | | | |
|-----------|---------|-----------------------------|------|-------|-------|------|------|-------|-------|------|------|-------|-------|-------------|-------------|-------|-------|------|------|-------|-------|------|------|-------|-------|
| | | 65 | | | | 75 | | | | 85 | | | | 95 | | | | 105 | | | | 115 | | | |
| | | 59 | 63 | 67 | 71 | 59 | 63 | 67 | 71 | 59 | 63 | 67 | 71 | 59 | 63 | 67 | 71 | 59 | 63 | 67 | 71 | 59 | 63 | 67 | 71 |
| 75 | MBh | 34.7 | 35.2 | 36.2 | 37.8 | 34.3 | 34.8 | 35.9 | 37.5 | 33.4 | 33.9 | 35.0 | 36.6 | 31.9 | 32.4 | 33.4 | 35.0 | 30.0 | 30.5 | 31.5 | 33.1 | 28.2 | 28.7 | 29.8 | 31.3 |
| | S/T | 0.71 | 0.63 | 0.49 | 0.4 | 0.71 | 0.64 | 0.50 | 0.4 | 1.00 | 0.66 | 0.53 | 0.4 | 1.00 | 0.68 | 0.54 | 0.4 | 1.00 | 0.70 | 0.57 | 0.4 | 1.00 | 0.75 | 0.62 | 0.5 |
| | ΔT | 25 | 23 | 20 | 16 | 25 | 23 | 20 | 16 | 26 | 24 | 20 | 16 | 25 | 23 | 20 | 16 | 25 | 23 | 20 | 16 | 26 | 24 | 21 | 17 |
| | kW | 2.21 | 2.21 | 2.20 | 2.2 | 2.47 | 2.47 | 2.46 | 2.5 | 2.75 | 2.75 | 2.75 | 2.8 | 3.06 | 3.06 | 3.06 | 3.1 | 3.41 | 3.41 | 3.40 | 3.4 | 3.81 | 3.81 | 3.81 | 3.8 |
| | Amps | 7.9 | 7.9 | 7.8 | 7.9 | 9.0 | 9.0 | 9.0 | 9.1 | 10.3 | 10.3 | 10.3 | 10.4 | 11.8 | 11.7 | 11.7 | 11.8 | 13.3 | 13.3 | 13.3 | 13.4 | 15.2 | 15.2 | 15.2 | 15.3 |
| | Hi PR | 256 | 257 | 259 | 263.3 | 296 | 297 | 299 | 303.7 | 339 | 340 | 342 | 346.2 | 384 | 386 | 387 | 391.8 | 434 | 435 | 437 | 441.1 | 486 | 487 | 489 | 493.6 |
| | Lo PR | 121 | 123 | 126 | 131.3 | 129 | 130 | 134 | 138.7 | 135 | 137 | 140 | 145.2 | 141 | 142 | 146 | 150.7 | 146 | 148 | 151 | 156.1 | 153 | 155 | 158 | 162.9 |
| | MBh | 35.3 | 35.8 | 36.8 | 38.4 | 35.0 | 35.5 | 36.5 | 38.1 | 34.1 | 34.5 | 35.6 | 37.2 | 32.5 | 33.0 | 34.0 | 35.6 | 30.6 | 31.1 | 32.1 | 33.7 | 28.8 | 29.3 | 30.4 | 32.0 |
| | S/T | 0.80 | 0.72 | 0.59 | 0.4 | 0.80 | 0.73 | 0.59 | 0.4 | 1.00 | 0.75 | 0.62 | 0.5 | 1.00 | 0.77 | 0.64 | 0.5 | 1.00 | 0.79 | 0.66 | 0.5 | 1.00 | 1.00 | 0.71 | 0.6 |
| | ΔT | 24 | 22 | 18 | 14 | 24 | 22 | 18 | 14 | 24 | 22 | 18 | 15 | 24 | 22 | 18 | 14 | 23 | 21 | 18 | 14 | 24 | 23 | 19 | 15 |
| kW | 2.23 | 2.23 | 2.22 | 2.24 | 2.49 | 2.48 | 2.48 | 2.50 | 2.77 | 2.77 | 2.77 | 2.79 | 3.08 | 3.08 | 3.08 | 3.09 | 3.43 | 3.43 | 3.42 | 3.44 | 3.83 | 3.83 | 3.83 | 3.85 | |
| Amps | 7.9 | 7.9 | 7.9 | 8.0 | 9.1 | 9.1 | 9.1 | 9.2 | 10.4 | 10.4 | 10.4 | 10.5 | 11.8 | 11.8 | 11.8 | 11.9 | 13.4 | 13.4 | 13.4 | 13.5 | 15.3 | 15.3 | 15.3 | 15.3 | |
| Hi PR | 259 | 260 | 262 | 266.3 | 299 | 301 | 302 | 306.8 | 342 | 343 | 345 | 349.2 | 388 | 389 | 390 | 394.9 | 437 | 438 | 440 | 444.1 | 489 | 490 | 492 | 496.7 | |
| Lo PR | 124 | 125 | 129 | 133.7 | 131 | 133 | 136 | 141.2 | 138 | 139 | 142 | 147.7 | 143 | 145 | 148 | 153.2 | 149 | 150 | 153 | 158.6 | 156 | 157 | 160 | 165.3 | |
| MBh | 35.5 | 36.0 | 37.1 | 38.7 | 35.2 | 35.7 | 36.8 | 38.3 | 34.3 | 34.8 | 35.8 | 37.4 | 32.8 | 33.2 | 34.3 | 35.9 | 30.8 | 31.3 | 32.4 | 34.0 | 29.1 | 29.6 | 30.6 | 32.2 | |
| S/T | 0.82 | 0.74 | 0.61 | 0.5 | 0.82 | 0.75 | 0.61 | 0.5 | 1.00 | 0.77 | 0.64 | 0.5 | 1.00 | 0.79 | 0.66 | 0.5 | 1.00 | 0.81 | 0.68 | 0.5 | 1.00 | 1.00 | 0.73 | 0.6 | |
| ΔT | 23 | 21 | 18 | 14 | 23 | 21 | 18 | 14 | 23 | 21 | 18 | 14 | 23 | 21 | 18 | 14 | 23 | 21 | 17 | 14 | 24 | 22 | 19 | 15 | |
| kW | 2.24 | 2.23 | 2.23 | 2.2 | 2.49 | 2.49 | 2.49 | 2.5 | 2.78 | 2.78 | 2.77 | 2.8 | 3.09 | 3.09 | 3.08 | 3.1 | 3.43 | 3.43 | 3.43 | 3.4 | 3.84 | 3.84 | 3.83 | 3.9 | |
| Amps | 8.0 | 8.0 | 7.9 | 8.0 | 9.1 | 9.1 | 9.1 | 9.2 | 10.5 | 10.4 | 10.4 | 10.5 | 11.9 | 11.9 | 11.8 | 11.9 | 13.5 | 13.4 | 13.4 | 13.5 | 15.3 | 15.3 | 15.3 | 15.4 | |
| Hi PR | 260 | 261 | 263 | 267.4 | 300 | 302 | 303 | 307.9 | 343 | 344 | 346 | 350.3 | 389 | 390 | 391 | 396.0 | 438 | 439 | 441 | 445.2 | 490 | 491 | 493 | 497.7 | |
| Lo PR | 125 | 126 | 130 | 134.7 | 132 | 134 | 137 | 142.1 | 139 | 140 | 143 | 148.6 | 144 | 146 | 149 | 154.1 | 150 | 151 | 154 | 159.5 | 156 | 158 | 161 | 166.3 | |

IDB: Entering Indoor Dry Bulb Temperature
 High and low pressures are measured at the liquid and suction service valves.
 Shaded area reflects ACCA (TVA) conditions
 kW = Total system power
 Amps = outdoor unit amps (comp.+fan)

EXPANDED COOLING DATA — ASXH3N3610A*/CA*FA4226*6A* + EEP (CONT.)

| IDB | | OUTDOOR AMBIENT TEMPERATURE | | | | | | | | | | | | 105 | | | | | | | | | | | | 115 | | | | | | | | | | | |
|-----------|-------|-----------------------------|------|-------|-------|------|------|-------|-------|------|------|-------|-------|------|------|-------|-------|------|------|-------|-------|------|------|-------|-------|-----|----|----|----|----|----|-----|--|--|--|--|--|
| | | 65 | | | | | | 75 | | | | | | 85 | | | | | | 95 | | | | | | 105 | | | | | | 115 | | | | | |
| | | AIRFLOW | | 59 | 63 | 67 | 71 | 59 | 63 | 67 | 71 | 59 | 63 | 67 | 71 | 59 | 63 | 67 | 71 | 59 | 63 | 67 | 71 | 59 | 63 | 67 | 71 | 59 | 63 | 67 | 71 | | | | | | |
| 80 | MBh | 34.8 | 35.3 | 36.4 | 38.0 | 34.5 | 35.0 | 36.1 | 37.6 | 33.6 | 34.1 | 35.1 | 36.7 | 32.1 | 32.5 | 33.6 | 35.2 | 30.1 | 30.6 | 31.7 | 33.3 | 28.4 | 28.9 | 29.9 | 31.5 | | | | | | | | | | | | |
| | S/T | 0.83 | 0.76 | 0.62 | 0.5 | 1.00 | 0.76 | 0.63 | 0.5 | 1.00 | 0.79 | 0.65 | 0.5 | 1.00 | 0.81 | 0.67 | 0.5 | 1.00 | 1.00 | 0.69 | 0.5 | 1.00 | 1.00 | 0.74 | 0.6 | | | | | | | | | | | | |
| | ΔT | 30 | 28 | 24 | 20 | 29 | 28 | 24 | 20 | 30 | 28 | 24 | 21 | 29 | 28 | 24 | 20 | 29 | 27 | 24 | 20 | 30 | 28 | 25 | 21 | | | | | | | | | | | | |
| | kW | 2.21 | 2.21 | 2.21 | 2.2 | 2.47 | 2.47 | 2.46 | 2.5 | 2.75 | 2.75 | 2.75 | 2.8 | 3.06 | 3.06 | 3.06 | 3.1 | 3.41 | 3.41 | 3.40 | 3.4 | 3.81 | 3.81 | 3.81 | 3.8 | | | | | | | | | | | | |
| | Amps | 7.9 | 7.9 | 7.8 | 7.9 | 9.0 | 9.0 | 9.0 | 9.1 | 10.3 | 10.3 | 10.3 | 10.4 | 11.8 | 11.8 | 11.7 | 11.8 | 13.3 | 13.3 | 13.3 | 13.4 | 15.2 | 15.2 | 15.2 | 15.3 | | | | | | | | | | | | |
| | Hi PR | 256 | 257 | 259 | 263.7 | 297 | 298 | 300 | 304.2 | 339 | 340 | 342 | 346.6 | 385 | 386 | 388 | 392.3 | 434 | 435 | 437 | 441.5 | 487 | 488 | 490 | 494.1 | | | | | | | | | | | | |
| | Lo PR | 122 | 124 | 127 | 131.8 | 129 | 131 | 134 | 139.2 | 136 | 137 | 141 | 145.7 | 141 | 143 | 146 | 151.2 | 147 | 148 | 151 | 156.6 | 154 | 155 | 158 | 163.4 | | | | | | | | | | | | |
| | MBh | 35.5 | 35.9 | 37.0 | 38.6 | 35.1 | 35.6 | 36.7 | 38.3 | 34.2 | 34.7 | 35.8 | 37.4 | 32.7 | 33.2 | 34.2 | 35.8 | 30.8 | 31.2 | 32.3 | 33.9 | 29.0 | 29.5 | 30.5 | 32.1 | | | | | | | | | | | | |
| | S/T | 1.00 | 0.85 | 0.71 | 0.6 | 1.00 | 0.85 | 0.72 | 0.6 | 1.00 | 0.88 | 0.74 | 0.6 | 1.00 | 1.00 | 0.76 | 0.6 | 1.00 | 1.00 | 0.78 | 0.6 | 1.00 | 1.00 | 0.84 | 0.7 | | | | | | | | | | | | |
| | ΔT | 28 | 26 | 22 | 19 | 28 | 26 | 22 | 19 | 28 | 26 | 23 | 19 | 28 | 26 | 22 | 19 | 28 | 26 | 22 | 18 | 29 | 27 | 23 | 20 | | | | | | | | | | | | |
| kW | 2.23 | 2.23 | 2.23 | 2.25 | 2.49 | 2.49 | 2.48 | 2.50 | 2.77 | 2.77 | 2.77 | 2.79 | 3.08 | 3.08 | 3.08 | 3.10 | 3.43 | 3.43 | 3.42 | 3.44 | 3.83 | 3.83 | 3.83 | 3.85 | | | | | | | | | | | | | |
| Amps | 8.0 | 7.9 | 7.9 | 8.0 | 9.1 | 9.1 | 9.1 | 9.2 | 10.4 | 10.4 | 10.4 | 10.5 | 11.8 | 11.8 | 11.8 | 11.9 | 13.4 | 13.4 | 13.4 | 13.5 | 15.3 | 15.3 | 15.3 | 15.3 | | | | | | | | | | | | | |
| Hi PR | 259 | 261 | 262 | 266.8 | 300 | 301 | 303 | 307.3 | 342 | 343 | 345 | 349.7 | 388 | 389 | 391 | 395.4 | 437 | 438 | 440 | 444.6 | 490 | 491 | 493 | 497.1 | | | | | | | | | | | | | |
| Lo PR | 124 | 126 | 129 | 134.3 | 132 | 133 | 137 | 141.7 | 138 | 140 | 143 | 148.2 | 144 | 145 | 149 | 153.7 | 149 | 151 | 154 | 159.1 | 156 | 158 | 161 | 165.9 | | | | | | | | | | | | | |
| MBh | 35.7 | 36.2 | 37.2 | 38.8 | 35.4 | 35.9 | 36.9 | 38.5 | 34.5 | 35.0 | 36.0 | 37.6 | 32.9 | 33.4 | 34.5 | 36.1 | 31.0 | 31.5 | 32.6 | 34.1 | 29.3 | 29.8 | 30.8 | 32.4 | | | | | | | | | | | | | |
| S/T | 1.00 | 0.87 | 0.73 | 0.6 | 1.00 | 0.87 | 0.74 | 0.6 | 1.00 | 0.90 | 0.76 | 0.6 | 1.00 | 1.00 | 0.78 | 0.6 | 1.00 | 1.00 | 0.80 | 0.7 | 1.00 | 1.00 | 0.86 | 0.7 | | | | | | | | | | | | | |
| ΔT | 27 | 25 | 22 | 18 | 27 | 25 | 22 | 18 | 28 | 26 | 22 | 18 | 27 | 25 | 22 | 18 | 27 | 25 | 22 | 18 | 28 | 26 | 23 | 19 | | | | | | | | | | | | | |
| kW | 2.24 | 2.24 | 2.23 | 2.3 | 2.49 | 2.49 | 2.49 | 2.5 | 2.78 | 2.78 | 2.77 | 2.8 | 3.09 | 3.09 | 3.08 | 3.1 | 3.43 | 3.43 | 3.43 | 3.4 | 3.84 | 3.84 | 3.83 | 3.9 | | | | | | | | | | | | | |
| Amps | 8.0 | 8.0 | 8.0 | 8.0 | 9.2 | 9.1 | 9.1 | 9.2 | 10.5 | 10.5 | 10.4 | 10.5 | 11.9 | 11.9 | 11.8 | 11.9 | 13.5 | 13.4 | 13.4 | 13.5 | 15.3 | 15.3 | 15.3 | 15.4 | | | | | | | | | | | | | |
| Hi PR | 260 | 262 | 263 | 267.9 | 301 | 302 | 304 | 308.4 | 343 | 344 | 346 | 350.8 | 389 | 390 | 392 | 396.4 | 438 | 439 | 441 | 445.7 | 491 | 492 | 494 | 498.2 | | | | | | | | | | | | | |
| Lo PR | 125 | 127 | 130 | 135.2 | 133 | 134 | 137 | 142.7 | 139 | 141 | 144 | 149.2 | 145 | 146 | 149 | 154.7 | 150 | 152 | 155 | 160.1 | 157 | 159 | 162 | 166.8 | | | | | | | | | | | | | |

| | | | | | | | | | | | | | | | | | | | | | | | | | |
|-----------|-------|------|------|-------|-------|------|------|-------|-------|------|------|-------|-------|------|------|-------|-------|------|------|-------|-------|------|------|-------|-------|
| 85 | MBh | 35.4 | 35.9 | 37.0 | 38.5 | 35.1 | 35.6 | 36.6 | 38.2 | 34.2 | 34.7 | 35.7 | 37.3 | 32.6 | 33.1 | 34.2 | 35.8 | 30.7 | 31.2 | 32.3 | 33.9 | 29.0 | 29.5 | 30.5 | 32.1 |
| | S/T | 1.00 | 0.86 | 0.72 | 0.6 | 1.00 | 0.86 | 0.73 | 0.6 | 1.00 | 1.00 | 0.75 | 0.6 | 1.00 | 1.00 | 0.77 | 0.6 | 1.00 | 1.00 | 0.79 | 0.7 | 1.00 | 1.00 | 1.00 | 0.7 |
| | ΔT | 33 | 31 | 28 | 24 | 33 | 31 | 28 | 24 | 33 | 32 | 28 | 24 | 33 | 31 | 28 | 24 | 33 | 31 | 27 | 24 | 34 | 32 | 29 | 25 |
| | kW | 2.22 | 2.22 | 2.21 | 2.2 | 2.47 | 2.47 | 2.47 | 2.5 | 2.76 | 2.76 | 2.75 | 2.8 | 3.07 | 3.07 | 3.06 | 3.1 | 3.41 | 3.41 | 3.41 | 3.4 | 3.82 | 3.82 | 3.81 | 3.8 |
| | Amps | 7.9 | 7.9 | 7.9 | 7.9 | 9.1 | 9.1 | 9.1 | 9.1 | 10.4 | 10.4 | 10.3 | 10.4 | 11.8 | 11.8 | 11.8 | 11.8 | 13.4 | 13.4 | 13.4 | 13.4 | 15.2 | 15.2 | 15.2 | 15.3 |
| | Hi PR | 258 | 259 | 260 | 264.9 | 298 | 299 | 301 | 305.4 | 340 | 342 | 343 | 347.8 | 386 | 387 | 389 | 393.5 | 435 | 436 | 438 | 442.7 | 488 | 489 | 491 | 495.3 |
| | Lo PR | 124 | 125 | 128 | 133.6 | 131 | 133 | 136 | 141.1 | 138 | 139 | 142 | 147.6 | 143 | 145 | 148 | 153.1 | 149 | 150 | 153 | 158.5 | 155 | 157 | 160 | 165.2 |
| | MBh | 36.0 | 36.5 | 37.6 | 39.2 | 35.7 | 36.2 | 37.3 | 38.8 | 34.8 | 35.3 | 36.3 | 37.9 | 33.3 | 33.7 | 34.8 | 36.4 | 31.3 | 31.8 | 32.9 | 34.5 | 29.6 | 30.1 | 31.1 | 32.7 |
| | S/T | 1.00 | 0.95 | 0.81 | 0.7 | 1.00 | 0.96 | 0.82 | 0.7 | 1.00 | 1.00 | 0.84 | 0.7 | 1.00 | 1.00 | 0.86 | 0.7 | 1.00 | 1.00 | 0.89 | 0.7 | 1.00 | 1.00 | 1.00 | 0.8 |
| | ΔT | 32 | 30 | 26 | 22 | 32 | 30 | 26 | 22 | 32 | 30 | 26 | 23 | 32 | 30 | 26 | 22 | 31 | 29 | 26 | 22 | 32 | 31 | 27 | 23 |
| kW | 2.24 | 2.23 | 2.23 | 2.25 | 2.49 | 2.49 | 2.49 | 2.51 | 2.78 | 2.78 | 2.77 | 2.79 | 3.09 | 3.09 | 3.08 | 3.10 | 3.43 | 3.43 | 3.43 | 3.45 | 3.84 | 3.84 | 3.83 | 3.85 | |
| Amps | 8.0 | 8.0 | 7.9 | 8.0 | 9.1 | 9.1 | 9.1 | 9.2 | 10.5 | 10.4 | 10.4 | 10.5 | 11.9 | 11.9 | 11.8 | 11.9 | 13.5 | 13.4 | 13.4 | 13.5 | 15.3 | 15.3 | 15.3 | 15.4 | |
| Hi PR | 261 | 262 | 264 | 268.0 | 301 | 302 | 304 | 308.5 | 344 | 345 | 346 | 350.9 | 389 | 390 | 392 | 396.6 | 438 | 440 | 441 | 445.8 | 491 | 492 | 494 | 498.3 | |
| Lo PR | 126 | 128 | 131 | 136.1 | 134 | 135 | 138 | 143.5 | 140 | 142 | 145 | 150.0 | 146 | 147 | 150 | 155.5 | 151 | 153 | 156 | 160.9 | 158 | 159 | 162 | 167.7 | |
| MBh | 36.3 | 36.8 | 37.8 | 39.4 | 36.0 | 36.5 | 37.5 | 39.1 | 35.1 | 35.6 | 36.6 | 38.2 | 33.5 | 34.0 | 35.1 | 36.6 | 31.6 | 32.1 | 33.1 | 34.7 | 29.9 | 30.4 | 31.4 | 33.0 | |
| S/T | 1.00 | 0.97 | 0.83 | 0.7 | 1.00 | 1.00 | 0.84 | 0.7 | 1.00 | 1.00 | 0.86 | 0.7 | 1.00 | 1.00 | 0.88 | 0.7 | 1.00 | 1.00 | 0.91 | 0.8 | 1.00 | 1.00 | 1.00 | 0.8 | |
| ΔT | 31 | 29 | 26 | 22 | 31 | 29 | 26 | 22 | 31 | 29 | 26 | 22 | 31 | 29 | 26 | 22 | 31 | 29 | 25 | 22 | 32 | 30 | 26 | 23 | |
| kW | 2.24 | 2.24 | 2.24 | 2.3 | 2.50 | 2.50 | 2.49 | 2.5 | 2.78 | 2.78 | 2.78 | 2.8 | 3.09 | 3.09 | 3.09 | 3.1 | 3.44 | 3.44 | 3.43 | 3.5 | 3.84 | 3.84 | 3.84 | 3.9 | |
| Amps | 8.0 | 8.0 | 8.0 | 8.1 | 9.2 | 9.2 | 9.1 | 9.2 | 10.5 | 10.5 | 10.5 | 10.5 | 11.9 | 11.9 | 11.9 | 12.0 | 13.5 | 13.5 | 13.5 | 13.5 | 15.3 | 15.3 | 15.3 | 15.4 | |
| Hi PR | 262 | 263 | 265 | 269.1 | 302 | 303 | 305 | 309.6 | 345 | 346 | 347 | 352.0 | 390 | 391 | 393 | 397.6 | 439 | 441 | 442 | 446.9 | 492 | 493 | 495 | 499.4 | |
| Lo PR | 127 | 129 | 132 | 137.1 | 135 | 136 | 139 | 144.5 | 141 | 143 | 146 | 151.0 | 147 | 148 | 151 | 156.5 | 152 | 154 | 157 | 161.9 | 159 | 160 | 163 | 168.7 | |

IDB: Entering Indoor Dry Bulb Temperature

High and low pressures are measured at the liquid and suction service valves.

Shaded area reflects AHRI conditions

kW = Total system power
Amps = outdoor unit amps (comp.+fan)

EXPANDED COOLING DATA — ASXH3N4210A*/CA*F4961*6A* + EEP

| IDB | AIRFLOW | OUTDOOR AMBIENT TEMPERATURE | | | | | | | | | | | | | | | | | | | | | | | |
|-------|---------|-----------------------------|------|------|------|------|------|------|------|------|------|------|------|------|------|------|------|------|------|------|------|------|------|------|----|
| | | 65 | | | | 75 | | | | 85 | | | | 95 | | | | 105 | | | | 115 | | | |
| | | 59 | 63 | 67 | 71 | 59 | 63 | 67 | 71 | 59 | 63 | 67 | 71 | 59 | 63 | 67 | 71 | 59 | 63 | 67 | 71 | 59 | 63 | 67 | 71 |
| 70 | MBh | 40.1 | 40.6 | 41.8 | - | 39.7 | 40.3 | 41.5 | - | 38.6 | 39.2 | 40.4 | - | 36.8 | 37.4 | 38.6 | - | 34.6 | 35.2 | 36.4 | - | 32.6 | 33.2 | 34.4 | - |
| | S/T | 0.58 | 0.50 | 0.37 | - | 0.58 | 0.51 | 0.37 | - | 0.61 | 0.53 | 0.40 | - | 0.63 | 0.55 | 0.42 | - | 1.00 | 0.57 | 0.44 | - | 1.00 | 0.62 | 0.49 | - |
| | ΔT | 21 | 19 | 16 | - | 21 | 19 | 15 | - | 21 | 19 | 16 | - | 21 | 19 | 15 | - | 21 | 19 | 15 | - | 22 | 20 | 16 | - |
| | KW | 2.55 | 2.55 | 2.54 | - | 2.85 | 2.84 | 2.84 | - | 3.18 | 3.18 | 3.17 | - | 3.54 | 3.54 | 3.53 | - | 3.94 | 3.94 | 3.94 | - | 4.42 | 4.42 | 4.41 | - |
| | Amps | 9.1 | 9.0 | 9.0 | - | 10.4 | 10.4 | 10.4 | - | 12.0 | 11.9 | 11.9 | - | 13.6 | 13.6 | 13.6 | - | 15.5 | 15.4 | 15.4 | - | 17.6 | 17.6 | 17.6 | - |
| | Hi PR | 264 | 266 | 267 | - | 306 | 307 | 309 | - | 350 | 351 | 353 | - | 397 | 398 | 400 | - | 448 | 449 | 451 | - | 502 | 504 | 505 | - |
| | Lo PR | 122 | 123 | 126 | - | 129 | 131 | 134 | - | 136 | 137 | 140 | - | 141 | 143 | 146 | - | 146 | 148 | 151 | - | 153 | 155 | 158 | - |
| | MBh | 40.7 | 41.3 | 42.5 | - | 40.4 | 40.9 | 42.1 | - | 39.3 | 39.9 | 41.1 | - | 37.5 | 38.1 | 39.3 | - | 35.3 | 35.9 | 37.1 | - | 33.3 | 33.8 | 35.0 | - |
| | S/T | 0.66 | 0.58 | 0.45 | - | 0.66 | 0.59 | 0.45 | - | 0.69 | 0.61 | 0.48 | - | 1.00 | 0.63 | 0.50 | - | 1.00 | 0.65 | 0.52 | - | 1.00 | 0.70 | 0.57 | - |
| | ΔT | 19 | 18 | 14 | - | 19 | 17 | 14 | - | 20 | 18 | 14 | - | 19 | 17 | 14 | - | 19 | 17 | 14 | - | 20 | 18 | 15 | - |
| KW | 2.57 | 2.57 | 2.56 | - | 2.87 | 2.86 | 2.86 | - | 3.20 | 3.20 | 3.19 | - | 3.56 | 3.56 | 3.55 | - | 3.96 | 3.96 | 3.96 | - | 4.44 | 4.44 | 4.43 | - | |
| Amps | 9.2 | 9.1 | 9.1 | - | 10.5 | 10.5 | 10.5 | - | 12.0 | 12.0 | 12.0 | - | 13.7 | 13.7 | 13.7 | - | 15.5 | 15.5 | 15.5 | - | 17.7 | 17.7 | 17.7 | - | |
| Hi PR | 267 | 269 | 270 | - | 309 | 310 | 312 | - | 353 | 354 | 356 | - | 400 | 401 | 403 | - | 451 | 452 | 454 | - | 505 | 507 | 508 | - | |
| Lo PR | 124 | 125 | 129 | - | 131 | 133 | 136 | - | 138 | 139 | 142 | - | 143 | 145 | 148 | - | 149 | 150 | 153 | - | 156 | 157 | 160 | - | |
| MBh | 41.1 | 41.7 | 42.9 | - | 40.7 | 41.3 | 42.5 | - | 39.7 | 40.3 | 41.5 | - | 37.9 | 38.5 | 39.7 | - | 35.7 | 36.2 | 37.4 | - | 33.7 | 34.2 | 35.4 | - | |
| S/T | 0.68 | 0.61 | 0.47 | - | 0.69 | 0.61 | 0.48 | - | 0.71 | 0.64 | 0.50 | - | 1.00 | 0.66 | 0.52 | - | 1.00 | 0.68 | 0.54 | - | 1.00 | 0.73 | 0.59 | - | |
| ΔT | 19 | 17 | 13 | - | 19 | 17 | 13 | - | 19 | 17 | 14 | - | 19 | 17 | 13 | - | 18 | 17 | 13 | - | 20 | 18 | 14 | - | |
| KW | 2.58 | 2.57 | 2.57 | - | 2.88 | 2.87 | 2.87 | - | 3.21 | 3.21 | 3.20 | - | 3.57 | 3.57 | 3.56 | - | 3.97 | 3.97 | 3.97 | - | 4.45 | 4.44 | 4.44 | - | |
| Amps | 9.2 | 9.2 | 9.2 | - | 10.6 | 10.5 | 10.5 | - | 12.1 | 12.1 | 12.1 | - | 13.7 | 13.7 | 13.7 | - | 15.6 | 15.6 | 15.5 | - | 17.7 | 17.7 | 17.7 | - | |
| Hi PR | 269 | 270 | 272 | - | 311 | 312 | 314 | - | 354 | 356 | 357 | - | 402 | 403 | 405 | - | 452 | 454 | 455 | - | 507 | 508 | 510 | - | |
| Lo PR | 125 | 127 | 130 | - | 133 | 134 | 137 | - | 139 | 141 | 144 | - | 145 | 146 | 149 | - | 150 | 151 | 155 | - | 157 | 158 | 161 | - | |

| IDB | AIRFLOW | OUTDOOR AMBIENT TEMPERATURE | | | | | | | | | | | | | | | | | | | | | | | |
|-------|---------|-----------------------------|------|-------|-------|------|------|-------|-------|------|------|-------|-------|------|------|-------|-------|------|------|-------|-------|------|------|-------|-------|
| | | 65 | | | | 75 | | | | 85 | | | | 95 | | | | 105 | | | | 115 | | | |
| | | 59 | 63 | 67 | 71 | 59 | 63 | 67 | 71 | 59 | 63 | 67 | 71 | 59 | 63 | 67 | 71 | 59 | 63 | 67 | 71 | 59 | 63 | 67 | 71 |
| 75 | MBh | 40.1 | 40.6 | 41.8 | 43.7 | 39.7 | 40.3 | 41.5 | 43.3 | 38.7 | 39.2 | 40.4 | 42.3 | 36.9 | 37.4 | 38.6 | 40.5 | 34.7 | 35.2 | 36.4 | 38.3 | 32.6 | 33.2 | 34.4 | 36.2 |
| | S/T | 0.70 | 0.63 | 0.49 | 0.4 | 0.71 | 0.63 | 0.50 | 0.4 | 1.00 | 0.66 | 0.52 | 0.4 | 1.00 | 0.68 | 0.54 | 0.4 | 1.00 | 0.70 | 0.57 | 0.4 | 1.00 | 1.00 | 0.62 | 0.5 |
| | ΔT | 25 | 23 | 20 | 16 | 25 | 23 | 20 | 16 | 25 | 23 | 20 | 16 | 25 | 23 | 20 | 16 | 25 | 23 | 19 | 16 | 26 | 24 | 21 | 17 |
| | KW | 2.55 | 2.54 | 2.54 | 2.6 | 2.84 | 2.84 | 2.84 | 2.9 | 3.18 | 3.18 | 3.17 | 3.2 | 3.54 | 3.54 | 3.53 | 3.6 | 3.94 | 3.94 | 3.93 | 4.0 | 4.42 | 4.41 | 4.41 | 4.4 |
| | Amps | 9.0 | 9.0 | 9.0 | 9.1 | 10.4 | 10.4 | 10.4 | 10.5 | 11.9 | 11.9 | 11.9 | 12.0 | 13.6 | 13.6 | 13.6 | 13.7 | 15.4 | 15.4 | 15.4 | 15.5 | 17.6 | 17.6 | 17.6 | 17.7 |
| | Hi PR | 265 | 266 | 268 | 272.3 | 306 | 308 | 310 | 314.1 | 350 | 351 | 353 | 358.0 | 398 | 399 | 401 | 405.1 | 448 | 450 | 451 | 456.0 | 503 | 504 | 506 | 510.3 |
| | Lo PR | 122 | 123 | 126 | 131.5 | 129 | 131 | 134 | 138.9 | 136 | 137 | 140 | 145.4 | 141 | 143 | 146 | 150.9 | 146 | 148 | 151 | 156.3 | 153 | 155 | 158 | 163.1 |
| | MBh | 40.7 | 41.3 | 42.5 | 44.3 | 40.4 | 40.9 | 42.1 | 44.0 | 39.3 | 39.9 | 41.1 | 42.9 | 37.5 | 38.1 | 39.3 | 41.1 | 35.3 | 35.9 | 37.1 | 38.9 | 33.3 | 33.9 | 35.1 | 36.9 |
| | S/T | 0.78 | 0.71 | 0.58 | 0.4 | 0.79 | 0.72 | 0.58 | 0.4 | 1.00 | 0.74 | 0.61 | 0.5 | 1.00 | 0.76 | 0.63 | 0.5 | 1.00 | 0.78 | 0.65 | 0.5 | 1.00 | 1.00 | 0.70 | 0.6 |
| | ΔT | 24 | 22 | 18 | 14 | 24 | 22 | 18 | 14 | 24 | 22 | 18 | 15 | 24 | 22 | 18 | 14 | 23 | 21 | 18 | 14 | 25 | 23 | 19 | 15 |
| KW | 2.57 | 2.56 | 2.56 | 2.58 | 2.87 | 2.86 | 2.86 | 2.88 | 3.20 | 3.20 | 3.19 | 3.21 | 3.56 | 3.56 | 3.55 | 3.58 | 3.96 | 3.96 | 3.96 | 3.98 | 4.44 | 4.43 | 4.43 | 4.45 | |
| Amps | 9.1 | 9.1 | 9.1 | 9.2 | 10.5 | 10.5 | 10.5 | 10.6 | 12.0 | 12.0 | 12.0 | 12.1 | 13.7 | 13.7 | 13.7 | 13.8 | 15.5 | 15.5 | 15.5 | 15.6 | 17.7 | 17.7 | 17.7 | 17.8 | |
| Hi PR | 268 | 269 | 271 | 275.2 | 309 | 311 | 312 | 317.1 | 353 | 354 | 356 | 360.9 | 400 | 402 | 403 | 408.1 | 451 | 452 | 454 | 459.0 | 506 | 507 | 509 | 513.3 | |
| Lo PR | 124 | 125 | 129 | 133.8 | 131 | 133 | 136 | 141.2 | 138 | 139 | 143 | 147.7 | 143 | 145 | 148 | 153.2 | 149 | 150 | 153 | 158.6 | 156 | 157 | 160 | 165.4 | |
| MBh | 41.1 | 41.7 | 42.9 | 44.7 | 40.8 | 41.3 | 42.5 | 44.4 | 39.7 | 40.3 | 41.5 | 43.3 | 37.9 | 38.5 | 39.7 | 41.5 | 35.7 | 36.3 | 37.5 | 39.3 | 33.7 | 34.3 | 35.5 | 37.3 | |
| S/T | 0.81 | 0.73 | 0.60 | 0.5 | 0.81 | 0.74 | 0.61 | 0.5 | 1.00 | 0.76 | 0.63 | 0.5 | 1.00 | 0.78 | 0.65 | 0.5 | 1.00 | 0.81 | 0.67 | 0.5 | 1.00 | 1.00 | 0.72 | 0.6 | |
| ΔT | 23 | 21 | 18 | 14 | 23 | 21 | 17 | 14 | 23 | 21 | 18 | 14 | 23 | 21 | 17 | 14 | 23 | 21 | 17 | 14 | 24 | 22 | 18 | 15 | |
| KW | 2.57 | 2.57 | 2.57 | 2.6 | 2.87 | 2.87 | 2.87 | 2.9 | 3.21 | 3.20 | 3.20 | 3.2 | 3.57 | 3.57 | 3.56 | 3.6 | 3.97 | 3.97 | 3.97 | 3.96 | 4.44 | 4.44 | 4.44 | 4.5 | |
| Amps | 9.2 | 9.2 | 9.1 | 9.3 | 10.6 | 10.5 | 10.5 | 10.6 | 12.1 | 12.1 | 12.0 | 12.1 | 13.7 | 13.7 | 13.7 | 13.8 | 15.6 | 15.6 | 15.5 | 15.6 | 17.7 | 17.7 | 17.7 | 17.8 | |
| Hi PR | 269 | 270 | 272 | 276.6 | 311 | 312 | 314 | 318.4 | 355 | 356 | 358 | 362.3 | 402 | 403 | 405 | 409.5 | 453 | 454 | 456 | 460.3 | 507 | 508 | 510 | 514.6 | |
| Lo PR | 125 | 127 | 130 | 135.0 | 133 | 134 | 137 | 142.4 | 139 | 141 | 144 | 148.9 | 145 | 146 | 149 | 154.4 | 150 | 152 | 155 | 159.8 | 157 | 158 | 161 | 166.6 | |

IDB: Entering Indoor Dry Bulb Temperature
 High and low pressures are measured at the liquid and suction service valves.
 Shaded area reflects ACCA (TVA) conditions
 kW = Total system power
 Amps = outdoor unit amps (comp.+fan)

EXPANDED COOLING DATA — ASXH3N4210A*/CA*F4961*6A* + EEP (CONT.)

| IDB | | OUTDOOR AMBIENT TEMPERATURE | | | | | | | | | | | | 105 | | | | | | | | | | | | 115 | | | | | | | | | | | | | | |
|------|-------|-----------------------------|------|------|-------|-------|------|------|-------|-------|------|------|-------|-------|------|------|-------|-------|------|------|-------|-------|------|------|-------|-------|----|----|-----|--|----|-----|----|----|----|-----|--|----|----|----|
| | | 65 | | | | | | 75 | | | | | | 85 | | | | | | 95 | | | | | | 105 | | | | | | 115 | | | | | | | | |
| | | AIREFLOW | | 59 | 63 | 67 | 71 | 75 | 65 | | 63 | 67 | 71 | 75 | 85 | | 59 | 63 | 67 | 71 | 75 | 95 | | 59 | 63 | 67 | 71 | 75 | 105 | | 59 | 63 | 67 | 71 | 75 | 115 | | 59 | 63 | 67 |
| 80 | 1225 | MBh | 40.3 | 40.9 | 42.1 | 43.9 | 39.9 | 40.5 | 41.7 | 43.5 | 38.9 | 39.4 | 40.6 | 42.5 | 37.1 | 37.6 | 38.8 | 40.7 | 34.9 | 35.4 | 36.6 | 38.5 | 32.8 | 33.4 | 34.6 | 36.4 | | | | | | | | | | | | | | |
| | | S/T | 0.83 | 0.75 | 0.62 | 0.5 | 1.00 | 0.78 | 0.65 | 0.5 | 1.00 | 0.80 | 0.67 | 0.5 | 1.00 | 0.80 | 0.67 | 0.5 | 1.00 | 1.00 | 0.69 | 0.5 | 1.00 | 1.00 | 0.74 | 0.6 | | | | | | | | | | | | | | |
| | | ΔT | 29 | 27 | 24 | 20 | 29 | 27 | 24 | 20 | 30 | 28 | 24 | 20 | 29 | 27 | 24 | 20 | 29 | 27 | 24 | 20 | 30 | 28 | 25 | 21 | | | | | | | | | | | | | | |
| | | kW | 2.55 | 2.54 | 2.54 | 2.6 | 2.85 | 2.84 | 2.84 | 2.9 | 3.18 | 3.18 | 3.17 | 3.2 | 3.54 | 3.54 | 3.53 | 3.6 | 3.94 | 3.94 | 3.94 | 4.0 | 4.42 | 4.41 | 4.41 | 4.4 | | | | | | | | | | | | | | |
| | | Amps | 9.1 | 9.0 | 9.0 | 9.1 | 10.4 | 10.4 | 10.4 | 10.5 | 12.0 | 11.9 | 11.9 | 12.0 | 13.6 | 13.6 | 13.6 | 13.7 | 15.4 | 15.4 | 15.4 | 15.5 | 17.6 | 17.6 | 17.6 | 17.7 | | | | | | | | | | | | | | |
| | 1460 | Hi-PR | 265 | 266 | 268 | 272.8 | 307 | 308 | 310 | 314.6 | 351 | 352 | 354 | 358.4 | 398 | 399 | 401 | 405.6 | 449 | 450 | 452 | 456.5 | 503 | 504 | 506 | 510.8 | | | | | | | | | | | | | | |
| | | Lo-PR | 122 | 124 | 127 | 132.0 | 130 | 131 | 134 | 139.4 | 136 | 138 | 141 | 146.0 | 142 | 143 | 146 | 151.5 | 147 | 149 | 152 | 156.9 | 154 | 155 | 158 | 163.6 | | | | | | | | | | | | | | |
| | | MBh | 40.9 | 41.5 | 42.7 | 44.5 | 40.6 | 41.2 | 42.4 | 44.2 | 39.5 | 40.1 | 41.3 | 43.1 | 37.7 | 38.3 | 39.5 | 41.3 | 35.5 | 36.1 | 37.3 | 39.1 | 33.5 | 34.1 | 35.3 | 37.1 | | | | | | | | | | | | | | |
| | | S/T | 1.00 | 0.83 | 0.70 | 0.6 | 1.00 | 0.84 | 0.71 | 0.6 | 1.00 | 0.86 | 0.73 | 0.6 | 1.00 | 1.00 | 0.75 | 0.6 | 1.00 | 1.00 | 0.77 | 0.6 | 1.00 | 1.00 | 0.82 | 0.7 | | | | | | | | | | | | | | |
| | | ΔT | 28 | 26 | 22 | 19 | 28 | 26 | 22 | 19 | 28 | 26 | 22 | 19 | 28 | 26 | 22 | 19 | 28 | 26 | 22 | 18 | 29 | 27 | 23 | 20 | | | | | | | | | | | | | | |
| 1575 | kW | 2.57 | 2.57 | 2.56 | 2.58 | 2.87 | 2.86 | 2.86 | 2.88 | 3.20 | 3.20 | 3.19 | 3.22 | 3.56 | 3.56 | 3.55 | 3.58 | 3.96 | 3.96 | 3.96 | 3.98 | 4.44 | 4.44 | 4.44 | 4.45 | | | | | | | | | | | | | | | |
| | Amps | 9.2 | 9.1 | 9.1 | 9.2 | 10.5 | 10.5 | 10.5 | 10.6 | 12.0 | 12.0 | 12.0 | 12.1 | 13.7 | 13.7 | 13.7 | 13.8 | 15.5 | 15.5 | 15.5 | 15.6 | 17.7 | 17.7 | 17.7 | 17.8 | | | | | | | | | | | | | | | |
| | Hi-PR | 268 | 269 | 271 | 275.7 | 310 | 311 | 313 | 317.6 | 354 | 355 | 357 | 361.4 | 401 | 402 | 404 | 408.6 | 452 | 453 | 455 | 459.5 | 506 | 507 | 509 | 513.8 | | | | | | | | | | | | | | | |
| | Lo-PR | 124 | 126 | 129 | 134.3 | 132 | 133 | 137 | 141.7 | 138 | 140 | 143 | 148.2 | 144 | 145 | 149 | 153.7 | 149 | 151 | 154 | 159.1 | 156 | 158 | 161 | 165.9 | | | | | | | | | | | | | | | |
| | MBh | 41.3 | 41.9 | 43.1 | 44.9 | 41.0 | 41.5 | 42.7 | 44.6 | 39.9 | 40.5 | 41.7 | 43.5 | 38.1 | 38.7 | 39.9 | 41.7 | 35.9 | 36.5 | 37.7 | 39.5 | 33.9 | 34.5 | 35.7 | 37.5 | | | | | | | | | | | | | | | |

| IDB | | OUTDOOR AMBIENT TEMPERATURE | | | | | | | | | | | | 105 | | | | | | | | | | | | 115 | | | | | | | | | | | | | | |
|------|-------|-----------------------------|------|------|-------|-------|------|------|-------|-------|------|------|-------|-------|------|------|-------|-------|------|------|-------|-------|------|------|-------|-------|----|----|-----|--|----|-----|----|----|----|-----|--|----|----|----|
| | | 65 | | | | | | 75 | | | | | | 85 | | | | | | 95 | | | | | | 105 | | | | | | 115 | | | | | | | | |
| | | AIREFLOW | | 59 | 63 | 67 | 71 | 75 | 65 | | 63 | 67 | 71 | 75 | 85 | | 59 | 63 | 67 | 71 | 75 | 95 | | 59 | 63 | 67 | 71 | 75 | 105 | | 59 | 63 | 67 | 71 | 75 | 115 | | 59 | 63 | 67 |
| 85 | 1225 | MBh | 41.0 | 41.5 | 42.7 | 44.6 | 40.6 | 41.2 | 42.4 | 44.2 | 39.6 | 40.1 | 41.3 | 43.2 | 37.7 | 38.3 | 39.5 | 41.3 | 35.5 | 36.1 | 37.3 | 39.1 | 33.5 | 34.1 | 35.3 | 37.1 | | | | | | | | | | | | | | |
| | | S/T | 1.00 | 0.85 | 0.72 | 0.6 | 1.00 | 0.86 | 0.73 | 0.6 | 1.00 | 0.89 | 0.75 | 0.6 | 1.00 | 1.00 | 0.77 | 0.6 | 1.00 | 1.00 | 0.80 | 0.7 | 1.00 | 1.00 | 0.85 | 0.7 | | | | | | | | | | | | | | |
| | | ΔT | 33 | 31 | 28 | 24 | 33 | 31 | 28 | 24 | 33 | 31 | 28 | 24 | 33 | 31 | 28 | 24 | 33 | 31 | 27 | 24 | 34 | 32 | 29 | 25 | | | | | | | | | | | | | | |
| | | kW | 2.55 | 2.55 | 2.55 | 2.6 | 2.85 | 2.85 | 2.84 | 2.9 | 3.19 | 3.18 | 3.18 | 3.2 | 3.55 | 3.54 | 3.54 | 3.6 | 3.95 | 3.95 | 3.94 | 4.0 | 4.42 | 4.42 | 4.42 | 4.4 | | | | | | | | | | | | | | |
| | | Amps | 9.1 | 9.1 | 9.0 | 9.2 | 10.5 | 10.4 | 10.4 | 10.5 | 12.0 | 12.0 | 11.9 | 12.0 | 13.6 | 13.6 | 13.6 | 13.7 | 15.5 | 15.5 | 15.4 | 15.5 | 17.6 | 17.6 | 17.6 | 17.7 | | | | | | | | | | | | | | |
| | 1460 | Hi-PR | 266 | 268 | 269 | 274.0 | 308 | 309 | 311 | 315.9 | 352 | 353 | 355 | 359.7 | 399 | 400 | 402 | 406.9 | 450 | 451 | 453 | 457.8 | 504 | 506 | 507 | 512.1 | | | | | | | | | | | | | | |
| | | Lo-PR | 124 | 126 | 129 | 133.8 | 131 | 133 | 136 | 141.3 | 138 | 139 | 143 | 147.8 | 143 | 145 | 148 | 153.3 | 149 | 150 | 153 | 158.7 | 156 | 157 | 160 | 165.4 | | | | | | | | | | | | | | |
| | | MBh | 41.6 | 42.2 | 43.4 | 45.2 | 41.3 | 41.8 | 43.0 | 44.9 | 40.2 | 40.8 | 42.0 | 43.8 | 38.4 | 39.0 | 40.2 | 42.0 | 36.2 | 36.8 | 38.0 | 39.8 | 34.2 | 34.8 | 36.0 | 37.8 | | | | | | | | | | | | | | |
| | | S/T | 1.00 | 0.93 | 0.80 | 0.7 | 1.00 | 0.94 | 0.81 | 0.7 | 1.00 | 1.00 | 0.83 | 0.7 | 1.00 | 1.00 | 0.85 | 0.7 | 1.00 | 1.00 | 0.87 | 0.7 | 1.00 | 1.00 | 0.88 | 0.8 | | | | | | | | | | | | | | |
| | | ΔT | 32 | 30 | 26 | 22 | 32 | 30 | 26 | 22 | 32 | 30 | 26 | 22 | 32 | 30 | 26 | 22 | 31 | 29 | 26 | 22 | 32 | 31 | 27 | 23 | | | | | | | | | | | | | | |
| 1575 | kW | 2.57 | 2.57 | 2.57 | 2.59 | 2.87 | 2.87 | 2.86 | 2.89 | 3.21 | 3.20 | 3.20 | 3.22 | 3.57 | 3.56 | 3.56 | 3.58 | 3.97 | 3.97 | 3.96 | 3.99 | 4.44 | 4.44 | 4.44 | 4.46 | | | | | | | | | | | | | | | |
| | Amps | 9.2 | 9.2 | 9.1 | 9.2 | 10.5 | 10.5 | 10.5 | 10.6 | 12.1 | 12.1 | 12.0 | 12.1 | 13.7 | 13.7 | 13.7 | 13.8 | 15.6 | 15.6 | 15.5 | 15.6 | 17.7 | 17.7 | 17.7 | 17.8 | | | | | | | | | | | | | | | |
| | Hi-PR | 269 | 270 | 272 | 277.0 | 311 | 312 | 314 | 318.8 | 355 | 356 | 358 | 362.6 | 402 | 403 | 405 | 409.8 | 453 | 454 | 456 | 460.7 | 507 | 509 | 510 | 515.0 | | | | | | | | | | | | | | | |
| | Lo-PR | 126 | 128 | 131 | 136.1 | 134 | 135 | 138 | 143.6 | 140 | 142 | 145 | 150.1 | 146 | 147 | 150 | 155.6 | 151 | 153 | 156 | 161.0 | 158 | 159 | 163 | 167.7 | | | | | | | | | | | | | | | |
| | MBh | 42.0 | 42.6 | 43.8 | 45.6 | 41.6 | 42.2 | 43.4 | 45.3 | 40.6 | 41.2 | 42.4 | 44.2 | 38.8 | 39.4 | 40.6 | 42.4 | 36.6 | 37.2 | 38.4 | 40.2 | 34.6 | 35.1 | 36.3 | 38.2 | | | | | | | | | | | | | | | |

IDB: Entering Indoor Dry Bulb Temperature
 High and low pressures are measured at the liquid and suction service valves.
 Shaded area reflects AHRI conditions
 kW = Total system power
 Amps = outdoor unit amps (comp.+fan)

EXPANDED COOLING DATA — ASXH3N4810A*/CA*F4961*6A* + EEP

| IDB | AIRFLOW | OUTDOOR AMBIENT TEMPERATURE | | | | | | | | | | | | ENTERING INDOOR WET BULB TEMPERATURE | | | | | | | | | | | |
|-------------|---------|-----------------------------|------|------|-----|------|------|------|-----|------|------|------|-----|--------------------------------------|------|------|-----|------|------|------|-----|------|------|------|----|
| | | 65 | | | | 75 | | | | 85 | | | | 95 | | | | 105 | | | | 115 | | | |
| | | 59 | 63 | 67 | 71 | 59 | 63 | 67 | 71 | 59 | 63 | 67 | 71 | 59 | 63 | 67 | 71 | 59 | 63 | 67 | 71 | 59 | 63 | 67 | 71 |
| 70 | MBh | 45.7 | 46.3 | 47.7 | - | 45.3 | 45.9 | 47.3 | - | 44.1 | 44.7 | 46.1 | - | 42.0 | 42.7 | 44.0 | - | 39.5 | 40.2 | 41.5 | - | 37.2 | 37.9 | 39.2 | - |
| | S/T | 0.60 | 0.52 | 0.39 | - | 0.61 | 0.53 | 0.39 | - | 0.63 | 0.55 | 0.42 | - | 0.65 | 0.57 | 0.44 | - | 1.00 | 0.60 | 0.46 | - | 1.00 | 0.65 | 0.51 | - |
| | ΔT | 21 | 19 | 16 | - | 21 | 19 | 16 | - | 22 | 20 | 16 | - | 21 | 19 | 16 | - | 21 | 19 | 15 | - | 22 | 20 | 17 | - |
| | KW | 2.97 | 2.97 | 2.97 | - | 3.32 | 3.31 | 3.31 | - | 3.70 | 3.69 | 3.69 | - | 4.11 | 4.11 | 4.10 | - | 4.57 | 4.57 | 4.56 | - | 5.11 | 5.11 | 5.10 | - |
| | Amps | 10.6 | 10.6 | 10.6 | - | 12.2 | 12.2 | 12.1 | - | 13.9 | 13.9 | 13.9 | - | 15.8 | 15.8 | 15.8 | - | 17.9 | 17.9 | 17.9 | - | 20.4 | 20.4 | 20.3 | - |
| 1480 | Hi PR | 256 | 257 | 259 | - | 297 | 298 | 300 | - | 339 | 340 | 342 | - | 385 | 386 | 388 | - | 434 | 435 | 437 | - | 486 | 488 | 489 | - |
| | Lo PR | 120 | 122 | 125 | - | 127 | 129 | 132 | - | 134 | 135 | 138 | - | 139 | 141 | 144 | - | 145 | 146 | 149 | - | 151 | 153 | 156 | - |
| | MBh | 46.4 | 47.0 | 48.4 | - | 46.0 | 46.6 | 48.0 | - | 44.8 | 45.4 | 46.8 | - | 42.7 | 43.4 | 44.7 | - | 40.2 | 40.9 | 42.2 | - | 37.9 | 38.6 | 39.9 | - |
| | S/T | 0.67 | 0.60 | 0.46 | - | 0.68 | 0.60 | 0.47 | - | 0.71 | 0.63 | 0.49 | - | 0.72 | 0.65 | 0.51 | - | 1.00 | 0.67 | 0.53 | - | 1.00 | 0.72 | 0.59 | - |
| | ΔT | 20 | 18 | 14 | - | 20 | 18 | 14 | - | 20 | 18 | 15 | - | 20 | 18 | 14 | - | 20 | 18 | 14 | - | 21 | 19 | 15 | - |
| 1640 | KW | 3.00 | 2.99 | 2.99 | - | 3.34 | 3.33 | 3.33 | - | 3.72 | 3.72 | 3.71 | - | 4.13 | 4.13 | 4.12 | - | 4.59 | 4.59 | 4.58 | - | 5.13 | 5.13 | 5.12 | - |
| | Amps | 10.7 | 10.7 | 10.7 | - | 12.3 | 12.3 | 12.2 | - | 14.0 | 14.0 | 14.0 | - | 15.9 | 15.9 | 15.9 | - | 18.0 | 18.0 | 18.0 | - | 20.5 | 20.5 | 20.4 | - |
| | Hi PR | 259 | 260 | 262 | - | 299 | 300 | 302 | - | 342 | 343 | 345 | - | 387 | 388 | 390 | - | 436 | 438 | 439 | - | 489 | 490 | 492 | - |
| | Lo PR | 122 | 124 | 127 | - | 129 | 131 | 134 | - | 136 | 137 | 140 | - | 141 | 143 | 146 | - | 147 | 148 | 151 | - | 153 | 155 | 158 | - |
| | MBh | 46.9 | 47.6 | 49.0 | - | 46.5 | 47.2 | 48.5 | - | 45.3 | 46.0 | 47.3 | - | 43.3 | 43.9 | 45.3 | - | 40.8 | 41.4 | 42.8 | - | 38.5 | 39.1 | 40.5 | - |
| 1800 | S/T | 0.70 | 0.63 | 0.49 | - | 0.71 | 0.63 | 0.49 | - | 0.73 | 0.66 | 0.52 | - | 0.75 | 0.68 | 0.54 | - | 1.00 | 0.70 | 0.56 | - | 1.00 | 0.75 | 0.61 | - |
| | ΔT | 19 | 17 | 14 | - | 19 | 17 | 13 | - | 19 | 17 | 14 | - | 19 | 17 | 13 | - | 19 | 17 | 13 | - | 20 | 18 | 14 | - |
| | KW | 3.01 | 3.00 | 3.00 | - | 3.35 | 3.35 | 3.34 | - | 3.73 | 3.73 | 3.72 | - | 4.14 | 4.14 | 4.13 | - | 4.60 | 4.60 | 4.59 | - | 5.14 | 5.14 | 5.14 | - |
| | Amps | 10.8 | 10.7 | 10.7 | - | 12.3 | 12.3 | 12.3 | - | 14.1 | 14.1 | 14.0 | - | 16.0 | 15.9 | 15.9 | - | 18.1 | 18.1 | 18.1 | - | 20.5 | 20.5 | 20.5 | - |
| | Hi PR | 260 | 261 | 263 | - | 301 | 302 | 304 | - | 343 | 344 | 346 | - | 389 | 390 | 392 | - | 438 | 439 | 441 | - | 491 | 492 | 494 | - |
| Lo PR | 124 | 125 | 128 | - | 131 | 132 | 135 | - | 137 | 139 | 142 | - | 143 | 144 | 147 | - | 148 | 150 | 153 | - | 155 | 156 | 159 | - | |

| IDB | AIRFLOW | OUTDOOR AMBIENT TEMPERATURE | | | | | | | | | | | | ENTERING INDOOR WET BULB TEMPERATURE | | | | | | | | | | | |
|-------------|---------|-----------------------------|------|-------|-------|------|------|-------|-------|------|------|-------|-------|--------------------------------------|-------------|-------|-------|------|------|-------|-------|------|------|-------|-------|
| | | 65 | | | | 75 | | | | 85 | | | | 95 | | | | 105 | | | | 115 | | | |
| | | 59 | 63 | 67 | 71 | 59 | 63 | 67 | 71 | 59 | 63 | 67 | 71 | 59 | 63 | 67 | 71 | 59 | 63 | 67 | 71 | 59 | 63 | 67 | 71 |
| 75 | MBh | 45.7 | 46.4 | 47.7 | 49.8 | 45.3 | 46.0 | 47.3 | 49.4 | 44.1 | 44.8 | 46.1 | 48.2 | 42.1 | 42.7 | 44.1 | 46.2 | 39.5 | 40.2 | 41.6 | 43.6 | 37.2 | 37.9 | 39.3 | 41.3 |
| | S/T | 0.73 | 0.65 | 0.52 | 0.4 | 0.74 | 0.66 | 0.52 | 0.4 | 1.00 | 0.68 | 0.55 | 0.4 | 1.00 | 0.70 | 0.57 | 0.4 | 1.00 | 0.73 | 0.59 | 0.4 | 1.00 | 0.78 | 0.64 | 0.5 |
| | ΔT | 26 | 24 | 20 | 16 | 26 | 24 | 20 | 16 | 26 | 24 | 20 | 16 | 26 | 24 | 20 | 16 | 25 | 23 | 20 | 16 | 27 | 25 | 21 | 17 |
| | KW | 2.97 | 2.97 | 2.96 | 3.0 | 3.31 | 3.31 | 3.31 | 3.3 | 3.69 | 3.69 | 3.69 | 3.7 | 4.11 | 4.10 | 4.10 | 4.1 | 4.57 | 4.57 | 4.56 | 4.6 | 5.11 | 5.11 | 5.10 | 5.1 |
| | Amps | 10.6 | 10.6 | 10.6 | 10.7 | 12.2 | 12.1 | 12.1 | 12.2 | 13.9 | 13.9 | 13.9 | 14.0 | 15.8 | 15.8 | 15.8 | 15.9 | 17.9 | 17.9 | 17.9 | 18.0 | 20.4 | 20.4 | 20.3 | 20.5 |
| 1480 | Hi PR | 256 | 257 | 259 | 263.7 | 297 | 298 | 300 | 304.2 | 339 | 340 | 342 | 346.6 | 385 | 386 | 388 | 392.3 | 434 | 435 | 437 | 441.5 | 487 | 488 | 490 | 494.1 |
| | Lo PR | 120 | 122 | 125 | 129.7 | 127 | 129 | 132 | 137.1 | 134 | 135 | 138 | 143.5 | 139 | 141 | 144 | 148.9 | 145 | 146 | 149 | 154.2 | 151 | 153 | 156 | 160.9 |
| | MBh | 46.4 | 47.1 | 48.4 | 50.5 | 46.0 | 46.6 | 48.0 | 50.1 | 44.8 | 45.5 | 46.8 | 48.9 | 42.7 | 43.4 | 44.8 | 46.9 | 40.2 | 40.9 | 42.2 | 44.3 | 37.9 | 38.6 | 40.0 | 42.0 |
| | S/T | 0.80 | 0.73 | 0.59 | 0.4 | 0.81 | 0.73 | 0.60 | 0.5 | 1.00 | 0.76 | 0.62 | 0.5 | 1.00 | 0.78 | 0.64 | 0.5 | 1.00 | 0.80 | 0.66 | 0.5 | 1.00 | 1.00 | 0.72 | 0.6 |
| | ΔT | 24 | 22 | 19 | 15 | 24 | 22 | 19 | 15 | 24 | 22 | 19 | 15 | 24 | 22 | 19 | 15 | 24 | 22 | 18 | 15 | 25 | 23 | 20 | 16 |
| 1640 | KW | 2.99 | 2.99 | 2.98 | 3.01 | 3.33 | 3.33 | 3.33 | 3.35 | 3.72 | 3.71 | 3.71 | 3.73 | 4.13 | 4.13 | 4.12 | 4.15 | 4.59 | 4.59 | 4.58 | 4.61 | 5.13 | 5.13 | 5.12 | 5.15 |
| | Amps | 10.7 | 10.7 | 10.7 | 10.8 | 12.3 | 12.2 | 12.2 | 12.3 | 14.0 | 14.0 | 14.0 | 14.1 | 15.9 | 15.9 | 15.9 | 16.0 | 18.0 | 18.0 | 18.0 | 18.1 | 20.5 | 20.5 | 20.4 | 20.6 |
| | Hi PR | 259 | 260 | 262 | 266.3 | 299 | 301 | 302 | 306.8 | 342 | 343 | 345 | 349.2 | 387 | 389 | 390 | 394.9 | 437 | 438 | 440 | 444.1 | 489 | 490 | 492 | 496.6 |
| | Lo PR | 122 | 124 | 127 | 131.8 | 129 | 131 | 134 | 139.1 | 136 | 137 | 140 | 145.5 | 141 | 143 | 146 | 151.0 | 147 | 148 | 151 | 156.3 | 153 | 155 | 158 | 162.9 |
| | MBh | 47.0 | 47.6 | 49.0 | 51.1 | 46.6 | 47.2 | 48.6 | 50.7 | 45.4 | 46.0 | 47.4 | 49.5 | 43.3 | 43.9 | 45.3 | 47.4 | 40.8 | 41.4 | 42.8 | 44.9 | 38.5 | 39.1 | 40.5 | 42.6 |
| 1800 | S/T | 0.83 | 0.76 | 0.62 | 0.5 | 0.84 | 0.76 | 0.63 | 0.5 | 1.00 | 0.79 | 0.65 | 0.5 | 1.00 | 0.81 | 0.67 | 0.5 | 1.00 | 0.83 | 0.69 | 0.5 | 1.00 | 1.00 | 0.74 | 0.6 |
| | ΔT | 23 | 21 | 18 | 14 | 23 | 21 | 18 | 14 | 24 | 22 | 18 | 14 | 23 | 21 | 18 | 14 | 23 | 21 | 17 | 14 | 24 | 22 | 19 | 15 |
| | KW | 3.01 | 3.00 | 3.00 | 3.0 | 3.35 | 3.34 | 3.34 | 3.4 | 3.73 | 3.73 | 3.72 | 3.7 | 4.14 | 4.14 | 4.13 | 4.2 | 4.60 | 4.60 | 4.59 | 4.6 | 5.14 | 5.14 | 5.13 | 5.2 |
| | Amps | 10.7 | 10.7 | 10.7 | 10.8 | 12.3 | 12.3 | 12.3 | 12.4 | 14.1 | 14.0 | 14.0 | 14.1 | 15.9 | 15.9 | 15.9 | 16.0 | 18.1 | 18.0 | 18.0 | 18.1 | 20.5 | 20.5 | 20.5 | 20.6 |
| | Hi PR | 261 | 262 | 263 | 268.0 | 301 | 302 | 304 | 308.4 | 343 | 345 | 346 | 350.9 | 389 | 390 | 392 | 396.5 | 438 | 439 | 441 | 445.7 | 491 | 492 | 494 | 498.3 |
| Lo PR | 124 | 125 | 128 | 133.3 | 131 | 132 | 136 | 140.6 | 137 | 139 | 142 | 147.0 | 143 | 144 | 147 | 152.5 | 148 | 150 | 153 | 157.8 | 155 | 156 | 159 | 164.4 | |

IDB: Entering Indoor Dry Bulb Temperature
 High and low pressures are measured at the liquid and suction service valves.
 Shaded area reflects ACCA (TVA) conditions
 kW = Total system power
 Amps = outdoor unit amps (comp.+fan)

EXPANDED COOLING DATA — ASXH3N4810A*/CA*F4961*6A* + EEP (CONT.)

| IDB | | OUTDOOR AMBIENT TEMPERATURE | | | | | | | | | | | | 105 | | | | | | | | | | | | 115 | | | | | | | | | | | |
|-------|------|-----------------------------|------|-------|------|-------|------|-------|------|-------|------|-------|------|-------|------|-------|------|-------|------|-------|------|-------|------|-------|------|-------|------|-------|------|-------|----|-----|--|--|--|--|--|
| | | 65 | | | | | | 75 | | | | | | 85 | | | | | | 95 | | | | | | 105 | | | | | | 115 | | | | | |
| | | AIREFLOW | | 59 | 63 | 67 | 71 | 59 | 63 | 67 | 71 | 59 | 63 | 67 | 71 | 59 | 63 | 67 | 71 | 59 | 63 | 67 | 71 | 59 | 63 | 67 | 71 | 59 | 63 | 67 | 71 | | | | | | |
| 80 | 1480 | MBh | 46.0 | 46.6 | 48.0 | 50.1 | 45.5 | 46.2 | 47.6 | 49.6 | 44.3 | 45.0 | 46.4 | 48.5 | 42.3 | 42.9 | 44.3 | 46.4 | 39.8 | 40.4 | 41.8 | 43.9 | 37.5 | 38.1 | 39.5 | 41.6 | 35.2 | 35.8 | 37.2 | 39.3 | | | | | | | |
| | | S/T | 0.86 | 0.78 | 0.64 | 0.5 | 1.00 | 0.79 | 0.65 | 0.5 | 1.00 | 0.81 | 0.67 | 0.5 | 1.00 | 0.83 | 0.69 | 0.5 | 1.00 | 1.00 | 0.72 | 0.6 | 1.00 | 1.00 | 0.77 | 0.6 | 1.00 | 1.00 | 0.72 | 0.6 | | | | | | | |
| | | ΔT | 30 | 28 | 24 | 21 | 30 | 28 | 24 | 21 | 30 | 28 | 25 | 21 | 30 | 28 | 24 | 20 | 30 | 28 | 24 | 20 | 31 | 29 | 25 | 21 | 31 | 29 | 25 | 21 | | | | | | | |
| | | kW | 2.97 | 2.97 | 2.97 | 3.0 | 3.32 | 3.21 | 3.31 | 3.3 | 3.70 | 3.69 | 3.69 | 3.7 | 4.11 | 4.11 | 4.10 | 4.1 | 4.57 | 4.57 | 4.57 | 4.6 | 5.11 | 5.11 | 5.10 | 5.1 | 5.61 | 5.61 | 5.60 | 5.6 | | | | | | | |
| | | Amps | 10.6 | 10.6 | 10.6 | 10.7 | 12.2 | 12.2 | 12.1 | 12.3 | 13.9 | 13.9 | 13.9 | 14.0 | 15.8 | 15.8 | 15.8 | 15.9 | 17.9 | 17.9 | 17.9 | 18.0 | 20.4 | 20.4 | 20.4 | 20.5 | 22.9 | 22.9 | 22.9 | 23.0 | | | | | | | |
| | | Hi PR | 257 | 258 | 260 | 264.2 | 297 | 298 | 300 | 304.7 | 340 | 341 | 343 | 347.1 | 385 | 386 | 388 | 392.8 | 435 | 436 | 438 | 442.0 | 487 | 488 | 490 | 494.5 | 539 | 540 | 542 | 546.5 | | | | | | | |
| | | Lo PR | 121 | 122 | 125 | 130.3 | 128 | 129 | 132 | 137.6 | 134 | 136 | 139 | 144.0 | 140 | 141 | 144 | 149.4 | 145 | 147 | 150 | 154.7 | 152 | 153 | 156 | 161.4 | 157 | 158 | 161 | 165.7 | | | | | | | |
| | | MBh | 46.6 | 47.3 | 48.7 | 50.8 | 46.2 | 46.9 | 48.3 | 50.3 | 45.0 | 45.7 | 47.1 | 49.1 | 43.0 | 43.6 | 45.0 | 47.1 | 40.5 | 41.1 | 42.5 | 44.6 | 38.2 | 38.8 | 40.2 | 42.3 | 35.9 | 36.5 | 37.9 | 39.9 | | | | | | | |
| | | S/T | 1.00 | 0.85 | 0.72 | 0.6 | 1.00 | 0.86 | 0.72 | 0.6 | 1.00 | 0.89 | 0.75 | 0.6 | 1.00 | 0.91 | 0.77 | 0.6 | 1.00 | 1.00 | 0.79 | 0.6 | 1.00 | 1.00 | 0.84 | 0.7 | 1.00 | 1.00 | 0.84 | 0.7 | | | | | | | |
| | | ΔT | 29 | 27 | 23 | 19 | 28 | 27 | 23 | 19 | 29 | 27 | 23 | 19 | 28 | 27 | 23 | 19 | 28 | 26 | 23 | 19 | 29 | 27 | 24 | 20 | 29 | 27 | 24 | 20 | | | | | | | |
| kW | 3.00 | 2.99 | 2.99 | 3.01 | 3.34 | 3.33 | 3.33 | 3.35 | 3.72 | 3.72 | 3.71 | 3.74 | 4.13 | 4.13 | 4.12 | 4.15 | 4.59 | 4.59 | 4.58 | 4.61 | 5.13 | 5.13 | 5.12 | 5.15 | 5.63 | 5.63 | 5.62 | 5.65 | | | | | | | | | |
| Amps | 10.7 | 10.7 | 10.7 | 10.8 | 12.3 | 12.3 | 12.2 | 12.3 | 14.0 | 14.0 | 14.0 | 14.1 | 15.9 | 15.9 | 15.9 | 16.0 | 18.0 | 18.0 | 18.0 | 18.1 | 20.5 | 20.5 | 20.4 | 20.6 | 23.0 | 23.0 | 23.0 | 23.1 | | | | | | | | | |
| Hi PR | 259 | 261 | 262 | 266.8 | 300 | 301 | 303 | 307.3 | 342 | 343 | 345 | 349.7 | 388 | 389 | 391 | 395.3 | 437 | 438 | 440 | 444.6 | 490 | 491 | 493 | 497.1 | 543 | 544 | 546 | 549.5 | | | | | | | | | |
| Lo PR | 123 | 124 | 127 | 132.3 | 130 | 131 | 135 | 139.7 | 136 | 138 | 141 | 146.1 | 142 | 143 | 146 | 151.5 | 147 | 149 | 152 | 156.8 | 154 | 155 | 158 | 163.5 | 159 | 160 | 163 | 167.5 | | | | | | | | | |
| MBh | 47.2 | 47.8 | 49.2 | 51.3 | 46.8 | 47.4 | 48.8 | 50.9 | 45.6 | 46.2 | 47.6 | 49.7 | 43.5 | 44.2 | 45.6 | 47.6 | 41.0 | 41.7 | 43.0 | 45.1 | 38.7 | 39.4 | 40.7 | 42.8 | 36.4 | 37.1 | 38.4 | 40.5 | | | | | | | | | |
| S/T | 1.00 | 0.88 | 0.75 | 0.6 | 1.00 | 0.89 | 0.75 | 0.6 | 1.00 | 0.91 | 0.78 | 0.6 | 1.00 | 0.93 | 0.80 | 0.7 | 1.00 | 1.00 | 0.82 | 0.7 | 1.00 | 1.00 | 0.87 | 0.7 | 1.00 | 1.00 | 0.87 | 0.7 | | | | | | | | | |
| ΔT | 28 | 26 | 22 | 18 | 28 | 26 | 22 | 18 | 27 | 26 | 22 | 19 | 28 | 26 | 22 | 18 | 27 | 25 | 22 | 18 | 29 | 27 | 23 | 19 | 29 | 27 | 23 | 19 | | | | | | | | | |
| kW | 3.01 | 3.00 | 3.00 | 3.0 | 3.35 | 3.35 | 3.34 | 3.4 | 3.73 | 3.73 | 3.72 | 3.7 | 4.14 | 4.14 | 4.13 | 4.2 | 4.60 | 4.60 | 4.59 | 4.6 | 5.14 | 5.14 | 5.14 | 5.2 | 5.64 | 5.64 | 5.64 | 5.6 | | | | | | | | | |
| Amps | 10.8 | 10.7 | 10.7 | 10.8 | 12.3 | 12.3 | 12.3 | 12.4 | 14.1 | 14.1 | 14.0 | 14.1 | 16.0 | 15.9 | 15.9 | 16.0 | 18.1 | 18.1 | 18.0 | 18.1 | 20.5 | 20.5 | 20.5 | 20.6 | 23.0 | 23.0 | 23.0 | 23.1 | | | | | | | | | |
| Hi PR | 261 | 262 | 264 | 268.4 | 302 | 303 | 304 | 308.9 | 344 | 345 | 347 | 351.3 | 390 | 391 | 393 | 397.0 | 439 | 440 | 442 | 446.2 | 491 | 492 | 494 | 498.8 | 544 | 545 | 547 | 550.5 | | | | | | | | | |
| Lo PR | 124 | 126 | 129 | 133.8 | 131 | 133 | 136 | 141.2 | 138 | 139 | 142 | 147.6 | 143 | 145 | 148 | 153.0 | 149 | 150 | 153 | 158.3 | 155 | 157 | 160 | 165.0 | 160 | 162 | 165 | 170.0 | | | | | | | | | |

| IDB | | OUTDOOR AMBIENT TEMPERATURE | | | | | | | | | | | | 105 | | | | | | | | | | | | 115 | | | | | | | | | | | |
|-------|------|-----------------------------|------|-------|------|-------|------|-------|------|-------|------|-------|------|-------|------|-------|------|-------|------|-------|------|-------|------|-------|------|-------|------|-------|------|-------|----|-----|--|--|--|--|--|
| | | 65 | | | | | | 75 | | | | | | 85 | | | | | | 95 | | | | | | 105 | | | | | | 115 | | | | | |
| | | AIREFLOW | | 59 | 63 | 67 | 71 | 59 | 63 | 67 | 71 | 59 | 63 | 67 | 71 | 59 | 63 | 67 | 71 | 59 | 63 | 67 | 71 | 59 | 63 | 67 | 71 | 59 | 63 | 67 | 71 | | | | | | |
| 85 | 1400 | MBh | 46.7 | 47.4 | 48.7 | 50.8 | 46.3 | 47.0 | 48.3 | 50.4 | 45.1 | 45.8 | 47.1 | 49.2 | 43.1 | 43.7 | 45.1 | 47.2 | 40.5 | 41.2 | 42.6 | 44.7 | 38.3 | 38.9 | 40.3 | 42.4 | 36.0 | 36.6 | 38.0 | 40.1 | | | | | | | |
| | | S/T | 1.00 | 0.88 | 0.75 | 0.6 | 1.00 | 0.89 | 0.75 | 0.6 | 1.00 | 0.91 | 0.78 | 0.6 | 1.00 | 0.93 | 0.80 | 0.7 | 1.00 | 1.00 | 0.82 | 0.7 | 1.00 | 1.00 | 0.87 | 0.7 | 1.00 | 1.00 | 0.87 | 0.7 | | | | | | | |
| | | ΔT | 34 | 32 | 28 | 24 | 34 | 32 | 28 | 24 | 34 | 32 | 28 | 25 | 34 | 32 | 28 | 24 | 33 | 31 | 28 | 24 | 35 | 33 | 29 | 25 | 35 | 33 | 29 | 25 | | | | | | | |
| | | kW | 2.98 | 2.98 | 2.97 | 3.0 | 3.32 | 3.32 | 3.31 | 3.3 | 3.70 | 3.70 | 3.69 | 3.7 | 4.12 | 4.11 | 4.11 | 4.1 | 4.58 | 4.57 | 4.57 | 4.6 | 5.12 | 5.11 | 5.11 | 5.1 | 5.62 | 5.61 | 5.61 | 5.6 | | | | | | | |
| | | Amps | 10.6 | 10.6 | 10.6 | 10.7 | 12.2 | 12.2 | 12.2 | 12.3 | 13.9 | 13.9 | 13.9 | 14.0 | 15.8 | 15.8 | 15.8 | 15.9 | 17.9 | 17.9 | 17.9 | 18.0 | 20.4 | 20.4 | 20.4 | 20.5 | 22.9 | 22.9 | 22.9 | 23.0 | | | | | | | |
| | | Hi PR | 258 | 259 | 261 | 265.4 | 299 | 300 | 301 | 305.9 | 341 | 342 | 344 | 348.3 | 387 | 388 | 390 | 394.0 | 436 | 437 | 439 | 443.2 | 488 | 489 | 491 | 495.7 | 539 | 540 | 542 | 546.5 | | | | | | | |
| | | Lo PR | 122 | 124 | 127 | 132.1 | 130 | 131 | 134 | 139.4 | 136 | 138 | 141 | 145.8 | 142 | 143 | 146 | 151.2 | 147 | 148 | 151 | 156.5 | 154 | 155 | 158 | 163.2 | 159 | 160 | 163 | 167.5 | | | | | | | |
| | | MBh | 47.4 | 48.1 | 49.4 | 51.5 | 47.0 | 47.7 | 49.0 | 51.1 | 45.8 | 46.5 | 47.8 | 49.9 | 43.8 | 44.4 | 45.8 | 47.9 | 41.2 | 41.9 | 43.3 | 45.3 | 38.9 | 39.6 | 41.0 | 43.1 | 36.6 | 37.2 | 38.6 | 40.7 | | | | | | | |
| | | S/T | 1.00 | 0.96 | 0.82 | 0.7 | 1.00 | 0.96 | 0.83 | 0.7 | 1.00 | 0.98 | 0.85 | 0.7 | 1.00 | 1.00 | 0.87 | 0.7 | 1.00 | 1.00 | 0.89 | 0.7 | 1.00 | 1.00 | 0.94 | 0.8 | 1.00 | 1.00 | 0.94 | 0.8 | | | | | | | |
| | | ΔT | 32 | 30 | 27 | 23 | 32 | 30 | 27 | 23 | 33 | 31 | 27 | 23 | 32 | 30 | 27 | 23 | 32 | 30 | 26 | 23 | 33 | 31 | 28 | 24 | 33 | 31 | 28 | 24 | | | | | | | |
| kW | 3.00 | 3.00 | 2.99 | 3.02 | 3.34 | 3.34 | 3.33 | 3.36 | 3.72 | 3.72 | 3.72 | 3.74 | 4.14 | 4.13 | 4.13 | 4.15 | 4.60 | 4.59 | 4.59 | 4.62 | 5.14 | 5.14 | 5.13 | 5.16 | 5.64 | 5.64 | 5.64 | 5.6 | | | | | | | | | |
| Amps | 10.7 | 10.7 | 10.7 | 10.8 | 12.3 | 12.3 | 12.3 | 12.4 | 14.0 | 14.0 | 14.0 | 14.1 | 15.9 | 15.9 | 15.9 | 16.0 | 18.0 | 18.0 | 18.0 | 18.1 | 20.5 | 20.5 | 20.5 | 20.6 | 23.0 | 23.0 | 23.0 | 23.1 | | | | | | | | | |
| Hi PR | 261 | 262 | 264 | 268.0 | 301 | 302 | 304 | 308.5 | 343 | 345 | 346 | 350.9 | 389 | 390 | 392 | 396.5 | 438 | 440 | 441 | 445.8 | 491 | 492 | 494 | 498.3 | 544 | 545 | 547 | 550.5 | | | | | | | | | |
| Lo PR | 124 | 126 | 129 | 134.1 | 132 | 133 | 136 | 141.5 | 138 | 140 | 143 | 147.9 | 144 | 145 | 148 | 153.3 | 149 | 150 | 153 | 158.6 | 156 | 157 | 160 | 165.3 | 161 | 162 | 165 | 170.0 | | | | | | | | | |
| MBh | 48.0 | 48.6 | 50.0 | 52.1 | 47.6 | 48.2 | 49.6 | 51.7 | 46.4 | 47.0 | 48.4 | 50.5 | 44.3 | 45.0 | 46.3 | 48.4 | 41.8 | 42.4 | 43.8 | 45.9 | 39.5 | 40.1 | 41.5 | 43.6 | 37.2 | 37.8 | 39.2 | 41.3 | | | | | | | | | |
| S/T | 1.00 | 0.99 | 0.85 | 0.7 | 1.00 | 0.99 | 0.85 | 0.7 | 1.00 | 1.00 | 0.88 | 0.7 | 1.00 | 1.00 | 0.90 | 0.8 | 1.00 | 1.00 | 0.92 | 0.8 | 1.00 | 1.00 | 0.96 | 0.8 | 1.00 | 1.00 | 0.96 | 0.8 | | | | | | | | | |
| ΔT | 32 | 30 | 26 | 22 | 32 | 30 | 26 | 22 | 32 | 30 | 26 | 22 | 32 | 30 | 26 | 22 | 31 | 29 | 26 | 22 | 32 | 31 | 27 | 23 | 32 | 31 | 27 | 23 | | | | | | | | | |
| kW | 3.01 | 3.01 | 3.00 | 3.0 | 3.35 | 3.35 | 3.35 | 3.4 | 3.74 | 3.73 | 3.73 | 3.8 | 4.15 | 4.15 | 4.14 | 4.2 | 4.61 | 4.61 | 4.60 | 4.6 | 5.15 | 5.15 | 5.14 | 5.2 | 5.65 | 5.65 | 5.65 | 5.6 | | | | | | | | | |
| Amps | 10.8 | 10.8 | 10.7 | 10.9 | 12.4 | 12.3 | 12.3 | 12.4 | 14.1 | 14.1 | 14.1 | 14.2 | 16.0 | 16.0 | 15.9 | 16.1 | 18.1 | 18.1 | 18.1 | 18.2 | 20.6 | 20.6 | 20.6 | 20.6 | 23.1 | 23.1 | 23.1 | 23.1 | | | | | | | | | |
| Hi PR | 262 | 263 | 265 | 269.6 | 303 | 304 | 306 | 310.1 | 345 | 346 | 348 | 352.5 | 391 | 392 | 394 | 398.2 | 440 | 441 | 443 | 447.4 | 493 | 494 | 496 | 500.0 | 546 | 547 | 549 | 552.5 | | | | | | | | | |
| Lo PR | 126 | 127 | 131 | 135.6 | 133 | 135 | 138 | 143.0 | 140 | 141 | 144 | 149.4 | 145 | 147 | 150 | 154.8 | 150 | 152 | 155 | 160.1 | 157 | 159 | 162 | 166.8 | 162 | 164 | 167 | 171.5 | | | | | | | | | |

IDB: Entering Indoor Dry Bulb Temperature
 High and low pressures are measured at the liquid and suction service valves.
 Shaded area reflects AHRI conditions
 kW = Total system power
 Amps = outdoor unit amps (comp.+fan)

EXPANDED COOLING DATA — ASXH3N6010A*/CA*T4961*4A* + EEP

| IDB | AIRFLOW | OUTDOOR AMBIENT TEMPERATURE | | | | | | | | | | | | | | | | | | | | | | | |
|-------|---------|-----------------------------|------|------|------|------|------|------|------|------|------|------|------|------|------|------|------|------|------|------|------|------|------|------|----|
| | | 65 | | | | 75 | | | | 85 | | | | 95 | | | | 105 | | | | 115 | | | |
| | | 59 | 63 | 67 | 71 | 59 | 63 | 67 | 71 | 59 | 63 | 67 | 71 | 59 | 63 | 67 | 71 | 59 | 63 | 67 | 71 | 59 | 63 | 67 | 71 |
| 70 | MBh | 55.7 | 56.4 | 58.1 | - | 55.2 | 55.9 | 57.6 | - | 53.7 | 54.5 | 56.2 | - | 51.3 | 52.0 | 53.7 | - | 48.2 | 49.0 | 50.7 | - | 45.5 | 46.3 | 47.9 | - |
| | S/T | 0.61 | 0.54 | 0.42 | - | 0.62 | 0.55 | 0.42 | - | 0.64 | 0.57 | 0.45 | - | 1.00 | 0.59 | 0.47 | - | 1.00 | 0.61 | 0.49 | - | 1.00 | 0.66 | 0.53 | - |
| | ΔT | 22 | 20 | 16 | - | 22 | 19 | 16 | - | 22 | 20 | 16 | - | 22 | 19 | 16 | - | 21 | 19 | 15 | - | 23 | 21 | 17 | - |
| | kW | 3.69 | 3.68 | 3.68 | - | 4.14 | 4.14 | 4.13 | - | 4.65 | 4.64 | 4.64 | - | 5.20 | 5.19 | 5.18 | - | 5.81 | 5.80 | 5.80 | - | 6.53 | 6.52 | 6.52 | - |
| | Amps | 13.9 | 13.9 | 13.8 | - | 16.0 | 15.9 | 15.9 | - | 18.3 | 18.3 | 18.2 | - | 20.8 | 20.8 | 20.7 | - | 23.6 | 23.6 | 23.5 | - | 26.9 | 26.9 | 26.8 | - |
| | Hi PR | 281 | 282 | 284 | - | 325 | 326 | 328 | - | 371 | 372 | 374 | - | 421 | 422 | 424 | - | 474 | 475 | 477 | - | 531 | 532 | 534 | - |
| | Lo PR | 127 | 129 | 132 | - | 135 | 137 | 140 | - | 142 | 143 | 147 | - | 147 | 149 | 152 | - | 153 | 155 | 158 | - | 160 | 161 | 165 | - |
| | MBh | 57.8 | 58.6 | 60.2 | - | 57.3 | 58.1 | 59.8 | - | 55.9 | 56.7 | 58.3 | - | 53.4 | 54.2 | 55.9 | - | 50.4 | 51.2 | 52.8 | - | 47.7 | 48.4 | 50.1 | - |
| | S/T | 0.66 | 0.59 | 0.46 | - | 0.66 | 0.59 | 0.47 | - | 1.00 | 0.61 | 0.49 | - | 1.00 | 0.63 | 0.51 | - | 1.00 | 0.65 | 0.53 | - | 1.00 | 1.00 | 0.57 | - |
| | ΔT | 19 | 17 | 13 | - | 19 | 17 | 13 | - | 20 | 18 | 14 | - | 19 | 17 | 13 | - | 19 | 17 | 13 | - | 20 | 18 | 14 | - |
| kW | 3.73 | 3.72 | 3.72 | - | 4.18 | 4.18 | 4.17 | - | 4.69 | 4.68 | 4.68 | - | 5.24 | 5.23 | 5.23 | - | 5.85 | 5.85 | 5.84 | - | 6.57 | 6.56 | 6.56 | - | |
| Amps | 14.1 | 14.0 | 14.0 | - | 16.1 | 16.1 | 16.1 | - | 18.5 | 18.4 | 18.4 | - | 21.0 | 21.0 | 20.9 | - | 23.8 | 23.8 | 23.7 | - | 27.1 | 27.0 | 27.0 | - | |
| Hi PR | 286 | 287 | 289 | - | 330 | 331 | 333 | - | 376 | 377 | 379 | - | 426 | 427 | 429 | - | 479 | 481 | 482 | - | 536 | 538 | 540 | - | |
| Lo PR | 132 | 134 | 137 | - | 140 | 142 | 145 | - | 147 | 148 | 151 | - | 152 | 154 | 157 | - | 158 | 159 | 163 | - | 165 | 166 | 170 | - | |
| MBh | 59.5 | 60.3 | 61.9 | - | 59.0 | 59.8 | 61.4 | - | 57.6 | 58.4 | 60.0 | - | 55.1 | 55.9 | 57.5 | - | 52.1 | 52.9 | 54.5 | - | 49.4 | 50.1 | 51.8 | - | |
| S/T | 0.64 | 0.57 | 0.44 | - | 1.00 | 0.57 | 0.45 | - | 1.00 | 0.59 | 0.47 | - | 1.00 | 0.61 | 0.49 | - | 1.00 | 0.63 | 0.51 | - | 1.00 | 1.00 | 0.55 | - | |
| ΔT | 18 | 16 | 12 | - | 18 | 16 | 12 | - | 19 | 16 | 12 | - | 18 | 16 | 12 | - | 18 | 16 | 12 | - | 19 | 17 | 13 | - | |
| kW | 3.75 | 3.74 | 3.74 | - | 4.20 | 4.20 | 4.19 | - | 4.71 | 4.70 | 4.70 | - | 5.26 | 5.25 | 5.25 | - | 5.87 | 5.87 | 5.86 | - | 6.59 | 6.58 | 6.58 | - | |
| Amps | 14.2 | 14.1 | 14.1 | - | 16.2 | 16.2 | 16.2 | - | 18.6 | 18.5 | 18.5 | - | 21.1 | 21.0 | 21.0 | - | 23.9 | 23.8 | 23.8 | - | 27.2 | 27.1 | 27.1 | - | |
| Hi PR | 290 | 291 | 293 | - | 333 | 335 | 337 | - | 380 | 381 | 383 | - | 429 | 430 | 432 | - | 483 | 484 | 486 | - | 540 | 541 | 543 | - | |
| Lo PR | 136 | 138 | 141 | - | 144 | 145 | 148 | - | 150 | 152 | 155 | - | 156 | 158 | 161 | - | 162 | 163 | 166 | - | 168 | 170 | 173 | - | |

| IDB | AIRFLOW | OUTDOOR AMBIENT TEMPERATURE | | | | | | | | | | | | | | | | | | | | | | | |
|-------|---------|-----------------------------|------|-------|-------|------|------|-------|-------|------|------|-------|-------|------|------|-------|-------|------|------|-------|-------|------|------|-------|-------|
| | | 65 | | | | 75 | | | | 85 | | | | 95 | | | | 105 | | | | 115 | | | |
| | | 59 | 63 | 67 | 71 | 59 | 63 | 67 | 71 | 59 | 63 | 67 | 71 | 59 | 63 | 67 | 71 | 59 | 63 | 67 | 71 | 59 | 63 | 67 | 71 |
| 75 | MBh | 55.7 | 56.5 | 58.1 | 60.6 | 55.2 | 56.0 | 57.6 | 60.1 | 53.8 | 54.5 | 56.2 | 58.7 | 51.3 | 52.1 | 53.7 | 56.2 | 48.3 | 49.1 | 50.7 | 53.2 | 45.5 | 46.3 | 47.9 | 50.5 |
| | S/T | 0.73 | 0.66 | 0.54 | 0.4 | 1.00 | 0.67 | 0.54 | 0.4 | 1.00 | 0.69 | 0.57 | 0.4 | 1.00 | 0.71 | 0.58 | 0.5 | 1.00 | 0.73 | 0.60 | 0.5 | 1.00 | 1.00 | 0.65 | 0.5 |
| | ΔT | 26 | 24 | 20 | 16 | 26 | 24 | 20 | 16 | 27 | 24 | 21 | 16 | 26 | 24 | 21 | 16 | 26 | 24 | 20 | 16 | 27 | 25 | 21 | 17 |
| | kW | 3.68 | 3.68 | 3.67 | 3.7 | 4.14 | 4.13 | 4.13 | 4.2 | 4.64 | 4.64 | 4.63 | 4.7 | 5.19 | 5.19 | 5.18 | 5.2 | 5.81 | 5.80 | 5.79 | 5.8 | 6.52 | 6.52 | 6.51 | 6.5 |
| | Amps | 13.9 | 13.8 | 13.8 | 14.0 | 15.9 | 15.9 | 15.9 | 16.0 | 18.3 | 18.2 | 18.2 | 18.4 | 20.8 | 20.8 | 20.7 | 20.9 | 23.6 | 23.6 | 23.5 | 23.7 | 26.9 | 26.8 | 26.8 | 27.0 |
| | Hi PR | 281 | 282 | 284 | 289.3 | 325 | 326 | 328 | 333.3 | 371 | 372 | 374 | 379.3 | 421 | 422 | 424 | 428.9 | 474 | 476 | 478 | 482.4 | 531 | 533 | 535 | 539.5 |
| | Lo PR | 127 | 129 | 132 | 137.6 | 135 | 137 | 140 | 145.2 | 142 | 143 | 147 | 151.9 | 147 | 149 | 152 | 157.6 | 153 | 155 | 158 | 163.1 | 160 | 162 | 165 | 170.1 |
| | MBh | 57.9 | 58.6 | 60.3 | 62.8 | 57.4 | 58.1 | 59.8 | 62.3 | 55.9 | 56.7 | 58.4 | 60.9 | 53.5 | 54.2 | 55.9 | 58.4 | 50.4 | 51.2 | 52.9 | 55.4 | 47.7 | 48.5 | 50.1 | 52.6 |
| | S/T | 0.77 | 0.70 | 0.58 | 0.4 | 1.00 | 0.71 | 0.58 | 0.5 | 1.00 | 0.73 | 0.61 | 0.5 | 1.00 | 0.75 | 0.63 | 0.5 | 1.00 | 1.00 | 0.65 | 0.5 | 1.00 | 1.00 | 0.69 | 0.6 |
| | ΔT | 24 | 22 | 18 | 14 | 24 | 22 | 18 | 14 | 24 | 22 | 18 | 14 | 24 | 22 | 18 | 14 | 24 | 22 | 18 | 14 | 25 | 23 | 19 | 15 |
| kW | 3.72 | 3.72 | 3.71 | 3.75 | 4.18 | 4.18 | 4.17 | 4.20 | 4.69 | 4.68 | 4.67 | 4.71 | 5.23 | 5.23 | 5.22 | 5.26 | 5.85 | 5.84 | 5.83 | 5.87 | 6.56 | 6.56 | 6.55 | 6.59 | |
| Amps | 14.1 | 14.0 | 14.0 | 14.2 | 16.1 | 16.1 | 16.1 | 16.2 | 18.4 | 18.4 | 18.4 | 18.6 | 21.0 | 20.9 | 20.9 | 21.1 | 23.8 | 23.7 | 23.7 | 23.9 | 27.0 | 27.0 | 27.0 | 27.2 | |
| Hi PR | 286 | 288 | 290 | 294.5 | 330 | 332 | 334 | 338.4 | 376 | 378 | 380 | 384.5 | 426 | 427 | 429 | 434.1 | 480 | 481 | 483 | 487.6 | 537 | 538 | 540 | 544.7 | |
| Lo PR | 132 | 134 | 137 | 142.5 | 140 | 142 | 145 | 150.2 | 147 | 148 | 151 | 156.8 | 152 | 154 | 157 | 162.5 | 158 | 160 | 163 | 168.1 | 165 | 166 | 170 | 175.0 | |
| MBh | 59.5 | 60.3 | 62.0 | 64.5 | 59.1 | 59.8 | 61.5 | 64.0 | 57.6 | 58.4 | 60.0 | 62.5 | 55.2 | 55.9 | 57.6 | 60.1 | 52.1 | 52.9 | 54.6 | 57.1 | 49.4 | 50.2 | 51.8 | 54.3 | |
| S/T | 1.00 | 0.68 | 0.56 | 0.4 | 1.00 | 0.69 | 0.56 | 0.4 | 1.00 | 0.71 | 0.59 | 0.5 | 1.00 | 1.00 | 0.61 | 0.5 | 1.00 | 1.00 | 0.63 | 0.5 | 1.00 | 1.00 | 0.67 | 0.5 | |
| ΔT | 23 | 21 | 17 | 13 | 23 | 21 | 17 | 13 | 23 | 21 | 17 | 13 | 23 | 21 | 17 | 13 | 23 | 21 | 17 | 12 | 24 | 22 | 18 | 14 | |
| kW | 3.75 | 3.74 | 3.73 | 3.8 | 4.20 | 4.20 | 4.19 | 4.2 | 4.71 | 4.70 | 4.69 | 4.7 | 5.25 | 5.25 | 5.24 | 5.3 | 5.87 | 5.86 | 5.85 | 5.9 | 6.58 | 6.58 | 6.57 | 6.6 | |
| Amps | 14.1 | 14.1 | 14.1 | 14.3 | 16.2 | 16.2 | 16.2 | 16.3 | 18.5 | 18.5 | 18.5 | 18.6 | 21.0 | 21.0 | 21.0 | 21.2 | 23.9 | 23.8 | 23.8 | 24.0 | 27.1 | 27.1 | 27.1 | 27.2 | |
| Hi PR | 290 | 291 | 293 | 297.8 | 334 | 335 | 337 | 341.8 | 380 | 381 | 383 | 387.8 | 429 | 431 | 433 | 437.4 | 483 | 484 | 486 | 490.9 | 540 | 541 | 543 | 548.0 | |
| Lo PR | 136 | 138 | 141 | 146.1 | 144 | 145 | 148 | 153.8 | 150 | 152 | 155 | 160.5 | 156 | 158 | 161 | 166.1 | 162 | 163 | 166 | 171.7 | 169 | 170 | 173 | 178.6 | |

IDB: Entering Indoor Dry Bulb Temperature
 High and low pressures are measured at the liquid and suction service valves.
 Shaded area reflects ACCA (TVA) conditions
 kW = Total system power
 Amps = outdoor unit amps (comp.+fan)

PERFORMANCE DATA

| ASXH3N1810A*/CA*FA1818*6A* | | | | |
|-------------------------------------------------|---------------|----------------|--------------|--------------|
| CONDITIONS: 80 °F IBD, 67 °F IWB @ 600 CFM | | | | |
| OUTDOOR TEM. ° F. | TOTAL BTU/H | SENSIBLE BTU/H | LATENT BTU/H | TOTAL WATTS |
| 75 | 18,450 | 13,900 | 4,550 | 1,270 |
| 80 | 18,250 | 13,750 | 4,500 | 1,340 |
| 85 | 18,000 | 13,550 | 4,450 | 1,400 |
| 90 | 17,600 | 13,250 | 4,350 | 1,480 |
| 95 | 17,200 | 12,950 | 4,250 | 1,550 |
| 100 | 16,750 | 12,600 | 4,150 | 1,630 |
| 105 | 16,250 | 12,250 | 4,000 | 1,710 |
| 110 | 15,800 | 11,950 | 3,850 | 1,810 |
| 115 | 15,350 | 11,600 | 3,750 | 1,900 |
| TVA CONDITIONS @ 95° OD DB, 75° ID DB 63° ID WB | | | | |
| 95° | 16,600 | 13,000 | 3,600 | 1,550 |

| ASXH3N2410A*/CA*FA2422*6A* | | | | |
|-------------------------------------------------|---------------|----------------|--------------|--------------|
| CONDITIONS: 80 °F IBD, 67 °F IWB @ 725 CFM | | | | |
| OUTDOOR TEM. ° F. | TOTAL BTU/H | SENSIBLE BTU/H | LATENT BTU/H | TOTAL WATTS |
| 75 | 24,450 | 17,350 | 7,100 | 1,670 |
| 80 | 24,150 | 17,150 | 7,000 | 1,760 |
| 85 | 23,850 | 16,900 | 6,950 | 1,850 |
| 90 | 23,350 | 16,550 | 6,800 | 1,950 |
| 95 | 22,800 | 16,200 | 6,600 | 2,050 |
| 100 | 22,200 | 15,750 | 6,450 | 2,160 |
| 105 | 21,550 | 15,250 | 6,300 | 2,270 |
| 110 | 20,950 | 14,850 | 6,100 | 2,400 |
| 115 | 20,350 | 14,450 | 5,900 | 2,530 |
| TVA CONDITIONS @ 95° OD DB, 75° ID DB 63° ID WB | | | | |
| 95° | 22,000 | 11,850 | 10,150 | 1,540 |

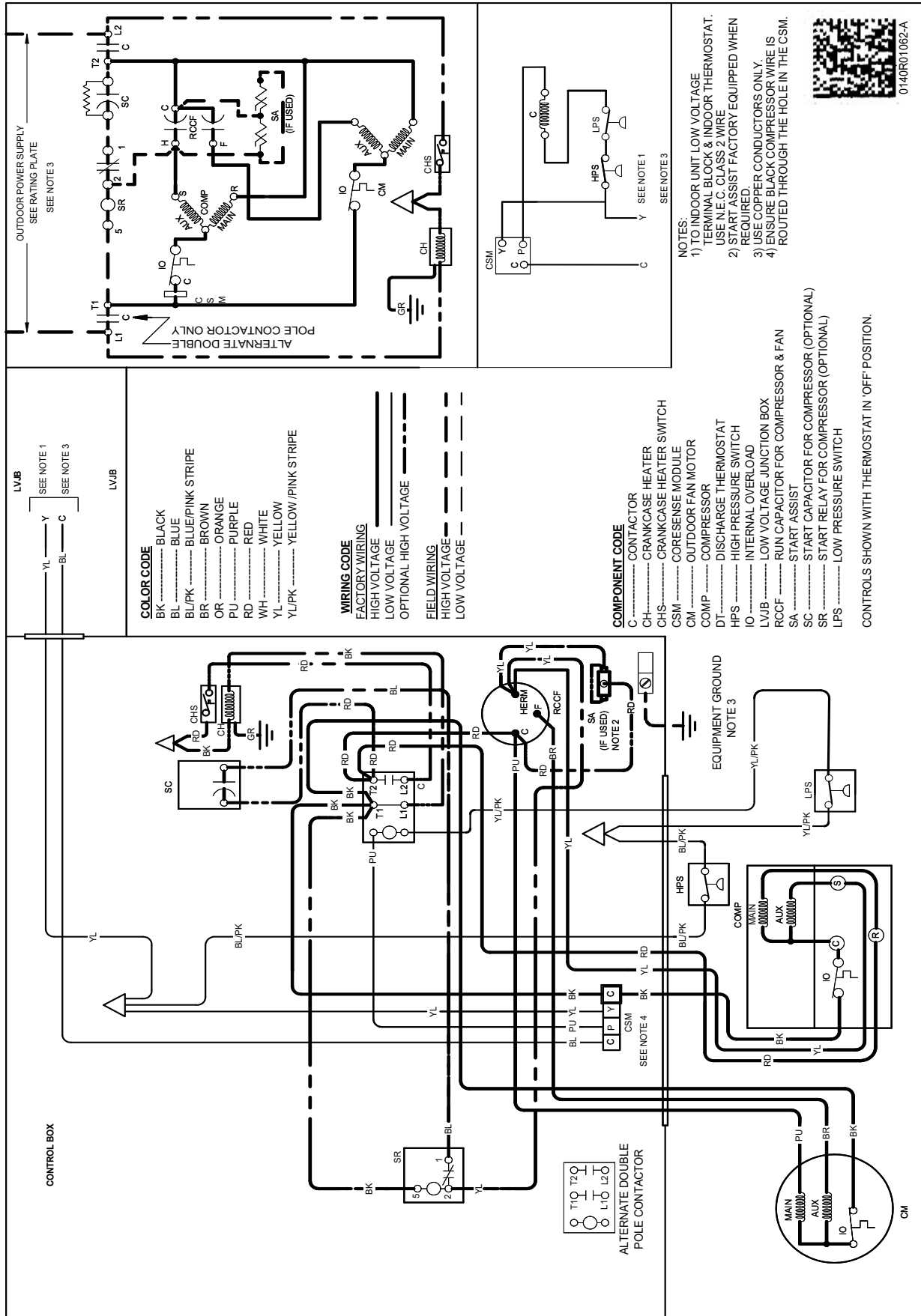
| ASXH3N3010A*/CA*FA3626*6A* | | | | |
|-------------------------------------------------|---------------|----------------|--------------|--------------|
| CONDITIONS: 80 °F IBD, 67 °F IWB @ 1105 CFM | | | | |
| OUTDOOR TEM. ° F. | TOTAL BTU/H | SENSIBLE BTU/H | LATENT BTU/H | TOTAL WATTS |
| 75 | 30,250 | 22,650 | 7,600 | 2,100 |
| 80 | 29,750 | 21,650 | 8,100 | 2,210 |
| 85 | 29,200 | 20,600 | 8,600 | 2,320 |
| 90 | 28,700 | 20,900 | 7,800 | 2,450 |
| 95 | 28,200 | 21,150 | 7,050 | 2,580 |
| 100 | 27,400 | 20,550 | 6,850 | 2,720 |
| 105 | 26,600 | 19,950 | 6,650 | 2,860 |
| 110 | 25,900 | 19,450 | 6,450 | 3,030 |
| 115 | 25,200 | 18,900 | 6,300 | 3,190 |
| TVA CONDITIONS @ 95° OD DB, 75° ID DB 63° ID WB | | | | |
| 95° | 27,200 | 17,800 | 9,400 | 2,070 |

| ASXH3N3610A*/CA*FA4226*6A* | | | | |
|-------------------------------------------------|---------------|----------------|--------------|--------------|
| CONDITIONS: 80 °F IBD, 67 °F IWB @ 1270 CFM | | | | |
| OUTDOOR TEM. ° F. | TOTAL BTU/H | SENSIBLE BTU/H | LATENT BTU/H | TOTAL WATTS |
| 75 | 36,650 | 27,250 | 9,400 | 2,480 |
| 80 | 36,200 | 26,900 | 9,300 | 2,630 |
| 85 | 35,750 | 26,550 | 9,200 | 2,770 |
| 90 | 35,000 | 26,000 | 9,000 | 2,930 |
| 95 | 34,200 | 25,400 | 8,800 | 3,080 |
| 100 | 33,250 | 24,700 | 8,550 | 3,250 |
| 105 | 32,300 | 24,000 | 8,300 | 3,420 |
| 110 | 31,450 | 23,350 | 8,100 | 3,630 |
| 115 | 30,550 | 22,700 | 7,850 | 3,830 |
| TVA Conditions @ 95° OD DB, 75° ID DB 63° ID WB | | | | |
| 95° | 33,000 | 25,500 | 7,500 | 3,080 |

| ASXH3N4210A*/CA*F4961*6A* | | | | |
|-------------------------------------------------|---------------|---------------|---------------|--------------|
| CONDITIONS: 80 °F IBD, 67 °F IWB @ 1460 CFM | | | | |
| OUTDOOR TEM. ° F. | TOTAL BTUH | SENSIBLE BTUH | LATENT BTUH | TOTAL WATTS |
| 75 | 42,350 | 30,950 | 11,400 | 2,860 |
| 80 | 41,850 | 30,600 | 11,250 | 3,030 |
| 85 | 41,300 | 30,200 | 11,100 | 3,190 |
| 90 | 40,400 | 29,550 | 10,850 | 3,370 |
| 95 | 39,500 | 28,850 | 10,650 | 3,550 |
| 100 | 38,400 | 28,050 | 10,350 | 3,760 |
| 105 | 37,300 | 27,250 | 10,050 | 3,960 |
| 110 | 36,300 | 26,500 | 9,800 | 4,200 |
| 115 | 35,300 | 25,750 | 9,550 | 4,430 |
| TVA Conditions @ 95° OD DB, 75° ID DB 63° ID WB | | | | |
| 95° | 38,100 | 28,950 | 9,150 | 3,560 |

| ASXH3N4810A*/CA*F4961*6A* | | | | |
|-------------------------------------------------|---------------|---------------|---------------|--------------|
| CONDITIONS: 80 °F IBD, 67 °F IWB @ 1640 CFM | | | | |
| OUTDOOR TEM. ° F. | TOTAL BTUH | SENSIBLE BTUH | LATENT BTUH | TOTAL WATTS |
| 75 | 48,250 | 36,100 | 12,150 | 3,330 |
| 80 | 47,650 | 35,700 | 11,950 | 3,520 |
| 85 | 47,050 | 35,250 | 11,800 | 3,710 |
| 90 | 46,050 | 34,500 | 11,550 | 3,920 |
| 95 | 45,000 | 33,700 | 11,300 | 4,120 |
| 100 | 43,750 | 32,750 | 11,000 | 4,350 |
| 105 | 42,500 | 31,800 | 10,700 | 4,580 |
| 110 | 41,350 | 30,950 | 10,400 | 4,850 |
| 115 | 40,200 | 30,100 | 10,100 | 5,120 |
| TVA Conditions @ 95° OD DB, 75° ID DB 63° ID WB | | | | |
| 95° | 43,400 | 33,800 | 9,600 | 4,130 |

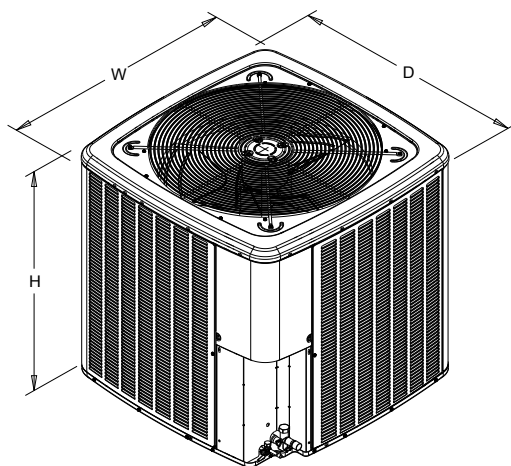
| ASXH3N6010A*/CA*T4961*4A* | | | | |
|-------------------------------------------------|---------------|---------------|---------------|--------------|
| CONDITIONS: 80 °F IBD, 67 °F IWB @ 1565 CFM | | | | |
| OUTDOOR TEM. ° F. | TOTAL BTUH | SENSIBLE BTUH | LATENT BTUH | TOTAL WATTS |
| 75 | 57,900 | 39,500 | 18,400 | 4,130 |
| 80 | 57,200 | 39,050 | 18,150 | 4,390 |
| 85 | 56,450 | 38,550 | 17,900 | 4,640 |
| 90 | 55,250 | 37,700 | 17,550 | 4,910 |
| 95 | 54,000 | 36,850 | 17,150 | 5,180 |
| 100 | 52,500 | 35,850 | 16,650 | 5,490 |
| 105 | 51,000 | 34,800 | 16,200 | 5,800 |
| 110 | 49,650 | 33,850 | 15,800 | 6,160 |
| 115 | 48,250 | 32,900 | 15,350 | 6,510 |
| TVA Conditions @ 95° OD DB, 75° ID DB 63° ID WB | | | | |
| 95° | 52,050 | 36,950 | 15,100 | 5,190 |



WARNING

⚠

High Voltage: Disconnect all power before servicing or installing this unit. Multiple power sources may be present. Failure to do so may cause property damage, personal injury, or death.



| MODEL | DIMENSIONS | | |
|--------------|------------|-----|-----|
| | W" | D" | H" |
| ASXH3N1810A* | 26 | 26 | 27 |
| ASXH3N2410A* | 26 | 26 | 32½ |
| ASXH3N3010A* | 29 | 29 | 32½ |
| ASXH3N3610A* | 29 | 29 | 32½ |
| ASXH3N4210A* | 29 | 29 | 39½ |
| ASXH3N4810A* | 35½ | 35½ | 35½ |
| ASXH3N6010A* | 35½ | 35½ | 39½ |

ACCESSORIES

| Model | Description | ASXH3 N1810A* | ASXH3 N2410A* | ASXH3 N3010A* | ASXH3 N3610A* | ASXH3 N4210A* | ASXH3 N4810A* | ASXH3 N6010A* |
|---------------------------|--------------------------|------------------|------------------|------------------|------------------|------------------|------------------|------------------|
| ABK-20 | Anchor Bracket Kit ^ | X | X | X | X | X | X | X |
| ABK-21 | Anchor Bracket Kit ^ | | | | | | | |
| ASC-01 | Anti-Short Cycle Kit | X | X | X | X | X | X | X |
| CSR-U-1 | Hard-start Kit | X | X | X | X | | | |
| CSR-U-2 | Hard-start Kit | | | | X | X | X | X |
| CSR-U-3 | Hard-start Kit | | | | | | X | X |
| FSK01A ¹ | Freeze Protection Kit | X | X | X | X | X | X | X |
| LSK02A ² | Liquid Line Solenoid Kit | X | X | X | X | X | X | X |
| LAKT01 | Low-Ambient Kit | X | X | X | X | X | X | |
| 0130R00000S | Low-Pressure Switch Kit | X | X | X | X | X | X | X |
| TXV-FX-KX-2T ² | TXV Kit | X | X | | | | | |
| TXV-FX-KX-3T ² | TXV Kit | | | X | X | | | |
| TXV-FX-KX-5T ² | TXV Kit | | | | | X | X | X |

⁰ Contains 20 brackets; four brackets needed to anchor unit to pad

¹ Installed on indoor coil

² Condensing units and heat pumps with reciprocating or rotary compressors require the use of start-assist components when used in conjunction with an indoor coil using a non-bleed thermal expansion valve refrigerant metering device or liquid line solenoid kit. The TXV should always be sized based on the tonnage of the outdoor unit.

All AHRI system ratings are accessible in the System Configurator tool via PartnerLink.

