



AIR CONDITIONERS

Features

- Outdoor air conditioner designed for ground level or rooftop installations. These units offer comfort and dependability for single, multi-family and light commercial applications.
- Painted louvered steel cabinet
- Easily accessible control box
- Condenser coils constructed with copper tubing and enhanced aluminum fins.
- Grille/Motor mount for quiet fan operation
- Filter Drier (shipped – not installed)



WA13 SERIES

Efficiencies 13 SEER/11 EER

Nominal Sizes 1.5-5 Tons [5.28-17.6 kW]



9001:2015

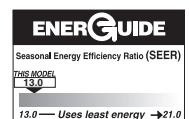


TABLE OF CONTENTS

Model Number Identification	3
Available SKUs	3
Electrical & Physical Data	4
Weighted Sound Power	5
Unit Dimensions	6
Refrigerant Line Size Information	7-10
Performance Data	11
Limited Warranty	12

Air Conditioners*

W	A	13	24	A	J	1	N	A
Brand	Product Category	SEER	Capacity BTU/HR	Major Series*	Voltage	Type	Controls	Minor Series**
WeatherKing	A - Air Conditioners	13 - 13 SEER	18 - 18,000 [5.28 kW] 24 - 24,000 [7.03 kW] 30 - 30,000 [8.79 kW] 36 - 36,000 [10.55 kW] 42 - 42,000 [12.31 kW] 48 - 48,000 [14.07 kW] 60 - 60,000 [17.58 kW]	A - 1st Design	J - 1ph, 208-230/60 C - 3ph, 208-230/60 D - 3ph, 460/60	1 - Single-stage	N - Non-Communicating	A - 1st Design B - 2nd Revision

[] Designates Metric Conversions

Available SKUs

Available Models
WA1318AJ1NA
WA1324AJ1NA
WA1330BJ1NA
WA1336AC1NA
WA1336AD1NA
WA1336AJ1NA
WA1342AC1NA
WA1342AD1NA
WA1342AJ1NA
WA1348BC1NA
WA1348BD1NA
WA1348BJ1NA
WA1360AD1NA
WA1360BC1NA
WA1360BJ1NA

Electrical and Physical Data

Model Number WA13	ELECTRICAL							PHYSICAL					
	Phase Frequency (Hz) Voltage (Volts)	Compressor		Fan Motor Full Load Amperes (FLA)	Minimum Circuit Ampacity Amperes	Fuse or HACR Circuit Breaker		Outdoor Coil			Refrig. Per Circuit Oz. [g]	Weight	
		Rated Load Amperes (RLA)	Locked Rotor Amperes (LRA)			Minimum Amperes	Maximum Amperes	Face Area Sq. Ft. [m ²]	No. Rows	CFM [L/s]		Net Lbs. [kg]	Shipping Lbs. [kg]
18	1-60-208/230	9/9	46	0.6	12/12	15/15	20/20	7.13 [0.66]	1	1415 [668]	67.4 [1911]	120 [54.4]	128 [54.4]
24	1-60-208/230	13.5/13.5	58.3	0.6	18/18	25/25	30/30	8.43 [0.78]	1	1665 [786]	67.8 [1922]	121 [54.9]	129 [54.9]
30B	1-60-208/230	12.8/12.8	64	0.7	17/17	20/20	25/25	13.72 [1.27]	1	2121 [1001]	98.0 [2790]	138 [62.6]	145 [65.8]
36	1-60-208/230	16.7/16.7	79	0.8	22/22	30/30	35/35	13.72 [1.27]	1	2540 [1199]	90.6 [2569]	149 [67.6]	157 [67.6]
42	1-60-208/230	17.9/17.9	112	1.2	24/24	30/30	40/40	13.72 [1.27]	1	2540 [1199]	106.0 [3005]	149 [67.6]	157 [67.6]
48B	1-60-208/230	19.9/19.9	109	1.0	26/26	35/35	45/45	21.85 [2.03]	1	3571 [1685]	146.0 [4139]	205 [93.0]	225 [102.1]
60B	1-60-208/230	26.4/26.4	134	1.7	35/35	45/45	60/60	21.85 [2.03]	2	3360 [1560]	228.0 [6464]	254 [115.2]	274 [124.3]

Model Number WA13	ELECTRICAL							PHYSICAL					
	Phase Frequency (Hz) Voltage (Volts)	Compressor		Fan Motor Full Load Amperes (FLA)	Minimum Circuit Ampacity Amperes	Fuse or HACR Circuit Breaker		Outdoor Coil			Refrig. Per Circuit Oz. [g]	Weight	
		Rated Load Amperes (RLA)	Locked Rotor Amperes (LRA)			Minimum Amperes	Maximum Amperes	Face Area Sq. Ft. [m ²]	No. Rows	CFM [L/s]		Net Lbs. [kg]	Shipping Lbs. [kg]
36	3-60-208/230	10.4/10.4	73	0.8	14/14	20/20	20/20	13.72 [1.27]	1	2540 [1199]	90.6 [2569]	149 [67.6]	157 [67.6]
42	3-60-208/230	13.2/13.2	88	1.2	18/18	25/25	30/30	13.72 [1.27]	1	2540 [1199]	106.0 [3005]	149 [67.6]	157 [67.6]
48B	3-60-208/230	13.1/13.1	83.1	1.0	18/18	25/25	30/30	21.85 [2.03]	1	3571 [1685]	146.0 [4139]	205 [93.0]	225 [102.1]
60B	3-60-208/230	16.0/16.0	110.0	1.7	22/22	30/30	35/35	21.85 [2.03]	2	3360 [1560]	228.0 [6464]	254 [115.2]	274 [124.3]

Model Number WA13	ELECTRICAL							PHYSICAL					
	Phase Frequency (Hz) Voltage (Volts)	Compressor		Fan Motor Full Load Amperes (FLA)	Minimum Circuit Ampacity Amperes	Fuse or HACR Circuit Breaker		Outdoor Coil			Refrig. Per Circuit Oz. [g]	Weight	
		Rated Load Amperes (RLA)	Locked Rotor Amperes (LRA)			Minimum Amperes	Maximum Amperes	Face Area Sq. Ft. [m ²]	No. Rows	CFM [L/s]		Net Lbs. [kg]	Shipping Lbs. [kg]
36	3-60-460	5.8/5.8	38	0.35	8/8	15/15	15/15	13.72 [1.27]	1	2540 [1199]	90.6 [2569]	149 [67.6]	157 [67.6]
42	3-60-460	6/6	44	0.8	9/9	15/15	15/15	13.72 [1.27]	1	2540 [1199]	106.0 [3005]	149 [67.6]	157 [67.6]
48B	3-60-460	6.09/6.09	41	0.8	9/9	15/15	15/15	21.85 [2.03]	1	3571 [1685]	146.0 [4139]	205 [93.0]	225 [102.1]

NOTE: Factory Refrigerant Charge includes refrigerant for 15 feet of standard line set.

[] Designates Metric Conversions

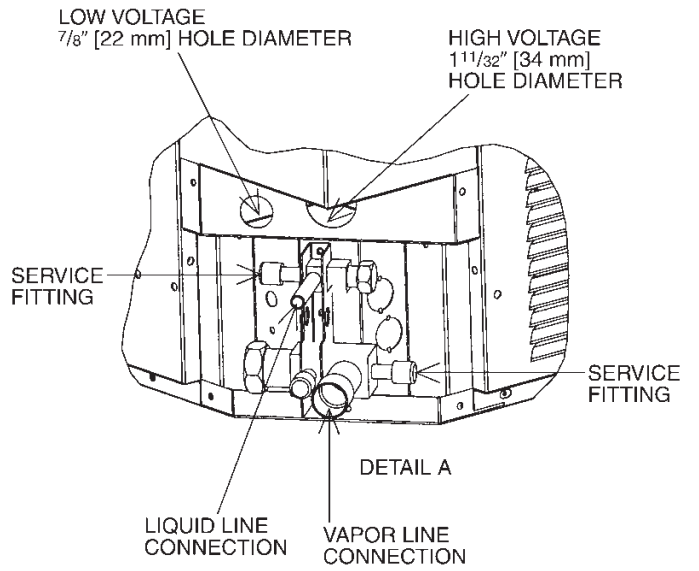
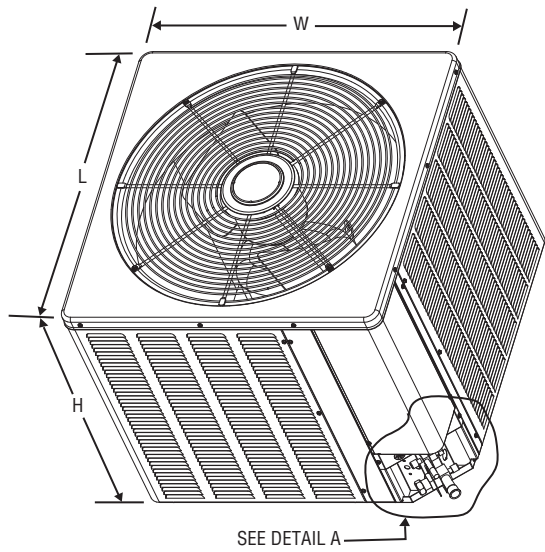
Weighted Sound Power Level (dBA)

Model	Standard Rating (dBA)	TYPICAL OCTAVE BAND SPECTRUM (dBA without tone adjustment)						
		125	250	500	1000	2000	4000	8000
WA1318A	76	52.3	61.5	62.7	69.4	60.5	56.2	49.5
WA1324A	74	55.4	58.2	62.9	63.5	61.1	56.1	50.9
WA1330B	73	50.0	57.8	61.8	64.3	60.4	56.5	54.2
WA1336A	72	47.4	53.6	59.0	63.5	59.8	55.5	51.8
WA1342A	78	49.9	59.1	64.3	69.0	61.6	56.5	51.8
WA1348B	75	49.6	55.4	63.4	68.7	61.9	58.6	55.8
WA1360A	76	51.6	62.3	64.2	64.8	61.7	60.9	58.0
WA1360B	76	52.9	61.1	65.0	65.7	62.7	58.1	53.1

Unit Dimensions

Model No. WA13	Unit Dimensions		
	Width "W" Inches	Length "L" Inches	Height "H" Inches
18, 24	23 ⁵ / ₈ [600]	23 ⁵ / ₈ [600]	24 ¹ / ₄ [616]
30, 36, 42	27 ⁵ / ₈ [702]	27 ⁵ / ₈ [702]	24 ¹ / ₄ [616]
48, 60	31 ⁵ / ₈ [803]	31 ⁵ / ₈ [803]	35 ¹⁵ / ₁₆ [913]

[] Designates Metric Conversions



13 - 14 SEER Single-Stage Air-Conditioners																	
Unit Size	Allowable Liquid Line Size	Allowable Suction Line Size	Apply Long Line Guidelines if Linear Line Length Exceeds Those Shown Below (Feet)			Equivalent Length (Feet)											
			WA13	WA14 A/B	WA14 W	< 25	26-50	51-75	76-100	101-125	126-150	151-175	176-200	201-225	226-250		
			Maximum Vertical Rise (Outdoor Unit Below Indoor Unit) * / Capacity Multiplier														
1.5 Ton **SEE NOTE 3	1/4"	5/8"	N/A	N/A	N/A	25 / 1.00	50 / 0.99	62 / 0.98	43 / 0.98	24 / 0.97	5 / 0.97	N/R	N/R	N/R	N/R	N/R	
	5/16"	5/8"	225	188	190	25 / 1.00	50 / 0.99	75 / 0.98	98 / 0.98	93 / 0.97	88 / 0.97	83 / 0.96	78 / 0.96	73 / 0.95	68 / 0.94	68 / 0.94	
	3/8"	5/8"	150	125	127	25 / 1.00	50 / 0.99	75 / 0.98	100 / 0.98	100 / 0.97	100 / 0.97	100 / 0.96	100 / 0.96	100 / 0.95	100 / 0.94	100 / 0.94	
	1/4"	3/4***	N/A	N/A	N/A	25 / 1.00	50 / 1.00	62 / 0.99	43 / 0.99	24 / 0.99	5 / 0.99	N/R	N/R	N/R	N/R	N/R	N/R
	5/16"	3/4***	225	188	190	25 / 1.00	50 / 1.00	75 / 0.99	98 / 0.99	93 / 0.99	88 / 0.99	83 / 0.99	78 / 0.98	73 / 0.98	68 / 0.98	68 / 0.98	
	3/8"	3/4***	150	125	127	25 / 1.00	50 / 1.00	75 / 1.00	100 / 0.99	100 / 0.99	100 / 0.99	100 / 0.99	100 / 0.99	100 / 0.98	100 / 0.98	100 / 0.98	
2 Ton	1/4"	5/8"	N/A	N/A	N/A	25 / 0.99	50 / 0.98	21 / 0.97	N/R	N/R	N/R	N/R	N/R	N/R	N/R	N/R	N/R
	5/16"	5/8"	223	170	180	25 / 0.99	50 / 0.98	75 / 0.97	87 / 0.96	77 / 0.95	69 / 0.94	61 / 0.93	53 / 0.92	45 / 0.91	37 / 0.90	37 / 0.90	
	3/8"	5/8"	148	113	120	25 / 0.99	50 / 0.98	75 / 0.97	100 / 0.96	100 / 0.95	100 / 0.94	98 / 0.93	95 / 0.92	92 / 0.91	89 / 0.90	89 / 0.90	
	1/4"	3/4"	N/A	N/A	N/A	25 / 1.00	50 / 1.00	21 / 0.99	N/R	N/R	N/R	N/R	N/R	N/R	N/R	N/R	N/R
	5/16"	3/4"	223	170	180	25 / 1.00	50 / 1.00	75 / 0.99	87 / 0.99	77 / 0.98	69 / 0.98	61 / 0.98	53 / 0.97	45 / 0.97	37 / 0.96	37 / 0.96	
	3/8"	3/4"	148	113	120	25 / 1.00	50 / 1.00	75 / 0.99	100 / 0.99	100 / 0.98	100 / 0.98	98 / 0.98	95 / 0.97	93 / 0.97	90 / 0.96	90 / 0.96	
2.5 Ton	5/16"	5/8"	148	148	113	25 / 0.99	50 / 0.98	75 / 0.96	70 / 0.94	59 / 0.93	48 / 0.91	36 / 0.90	N/R	N/R	N/R	N/R	N/R
	3/8"	5/8"	98	98	75	25 / 0.99	50 / 0.98	75 / 0.96	100 / 0.94	98 / 0.93	94 / 0.91	90 / 0.90	N/R	N/R	N/R	N/R	N/R
	5/16"	3/4"	148	148	113	25 / 1.00	50 / 0.99	75 / 0.99	70 / 0.98	59 / 0.98	48 / 0.97	36 / 0.96	25 / 0.96	13 / 0.95	N/R	N/R	N/R
	3/8"	3/4"	98	98	75	25 / 1.00	50 / 0.99	75 / 0.99	100 / 0.98	98 / 0.98	94 / 0.97	90 / 0.96	86 / 0.96	82 / 0.95	78 / 0.95	78 / 0.95	
	5/16"	5/8"	N/A	88	73	25 / 0.99	50 / 0.97	66 / 0.94	49 / 0.92	32 / 0.90	N/R	N/R	N/R	N/R	N/R	N/R	N/R
	3/8"	5/8"	110	58	48	25 / 0.99	50 / 0.97	75 / 0.94	95 / 0.92	89 / 0.90	N/R	N/R	N/R	N/R	N/R	N/R	N/R
3 Ton	5/16"	3/4"	N/A	88	73	25 / 1.00	50 / 0.99	66 / 0.98	49 / 0.98	32 / 0.97	15 / 0.96	N/R	N/R	N/R	N/R	N/R	N/R
	3/8"	3/4"	110	58	48	25 / 1.00	50 / 0.99	75 / 0.98	95 / 0.98	89 / 0.97	84 / 0.96	78 / 0.95	72 / 0.94	67 / 0.93	61 / 0.93	61 / 0.93	
	1/2"	3/4"	55	29	24	25 / 1.00	50 / 0.99	75 / 0.98	100 / 0.98	100 / 0.97	100 / 0.96	100 / 0.95	100 / 0.94	100 / 0.93	100 / 0.93	100 / 0.93	
	5/16"	7/8"	N/A	88	73	25 / 1.00	50 / 1.00	66 / 1.00	49 / 0.99	32 / 0.99	15 / 0.99	N/R	N/R	N/R	N/R	N/R	N/R
	3/8"	7/8"	110	58	48	25 / 1.00	50 / 1.00	75 / 1.00	95 / 0.99	89 / 0.99	84 / 0.99	78 / 0.98	72 / 0.98	67 / 0.98	61 / 0.97	61 / 0.97	
	1/2"	7/8"	55	29	24	25 / 1.00	50 / 1.00	75 / 1.00	100 / 0.99	100 / 0.99	100 / 0.99	100 / 0.98	100 / 0.98	100 / 0.98	100 / 0.97	100 / 0.97	
3.5 Ton	3/8"	3/4"	148	112	100	25 / 0.99	50 / 0.98	75 / 0.97	88 / 0.96	80 / 0.95	72 / 0.94	65 / 0.92	57 / 0.91	49 / 0.90	N/R	N/R	N/R
	1/2"	3/4"	74	56	50	25 / 0.99	50 / 0.98	75 / 0.97	100 / 0.96	100 / 0.95	100 / 0.94	100 / 0.92	100 / 0.91	100 / 0.90	N/R	N/R	
	3/8"	7/8"	148	112	100	25 / 1.00	50 / 1.00	75 / 0.99	88 / 0.99	80 / 0.99	72 / 0.98	65 / 0.97	57 / 0.97	49 / 0.96	42 / 0.96	42 / 0.96	
	1/2"	7/8"	74	56	50	25 / 1.00	50 / 1.00	75 / 0.99	100 / 0.99	100 / 0.99	100 / 0.98	100 / 0.97	100 / 0.97	100 / 0.96	100 / 0.96	100 / 0.96	

- NOTES:
1. Do not exceed 200 ft linear line length.
2. Do not exceed 100 ft vertical separation if outdoor unit is above indoor unit.
3. **3/4" suction line should only be used for 1.5 ton systems if outdoor unit is below or at same level as indoor to assure proper oil return.
4. Always use the smallest liquid line allowable to minimize refrigerant charge.
5. Applications shaded in light gray indicate capacity multipliers between 0.90 and 0.96 which are not recommended, but are allowed.
6. Applications shaded in dark gray are not recommended due to excessive liquid or suction pressure drop.

13 - 14 SEER Single-Stage Air-Conditioners															
Unit Size	Allowable Liquid Line Size	Allowable Suction Line Size	Apply Long Line Guidelines if Linear Line Length Exceeds Those Shown Below (Feet)			Equivalent Length (Feet)									
			WA13	WA14 A/B	WA14 W	< 25	26-50	51-75	76-100	101-125	126-150	151-175	176-200	201-225	226-250
			Maximum Vertical Rise (Outdoor Unit Below Indoor Unit) * / Capacity Multiplier												
4 Ton	3/8"	3/4"	82	82	0	25 / 0.99	50 / 0.98	75 / 0.96	77 / 0.95	67 / 0.93	57 / 0.92	46 / 0.91	N/R	N/R	N/R
	1/2"	3/4"	41	41	0	25 / 0.99	50 / 0.98	75 / 0.96	100 / 0.95	100 / 0.93	100 / 0.92	100 / 0.91	N/R	N/R	N/R
	3/8"	7/8"	82	82	0	25 / 1.00	50 / 0.99	75 / 0.99	77 / 0.98	67 / 0.97	57 / 0.97	46 / 0.96	36 / 0.96	26 / 0.95	15 / 0.95
	1/2"	7/8"	41	41	0	25 / 1.00	50 / 0.99	75 / 0.99	100 / 0.98	100 / 0.97	100 / 0.97	100 / 0.96	100 / 0.96	99 / 0.95	97 / 0.95
5 Ton	3/8"	3/4"	0	0	0	25 / 0.99	50 / 0.97	75 / 0.94	61 / 0.92	46 / 0.90	N/R	N/R	N/R	N/R	N/R
	1/2"	3/4"	0	0	0	25 / 0.99	50 / 0.97	75 / 0.94	100 / 0.92	100 / 0.90	N/R	N/R	N/R	N/R	N/R
	3/8"	7/8"	0	0	0	25 / 1.00	50 / 0.99	75 / 0.98	61 / 0.97	46 / 0.96	32 / 0.95	18 / 0.94	N/R	N/R	N/R
	1/2"	7/8"	0	0	0	25 / 1.00	50 / 0.99	75 / 0.98	100 / 0.97	100 / 0.96	100 / 0.95	97 / 0.94	95 / 0.94	92 / 0.93	89 / 0.92
	3/8"	1-1/8"	0	0	0	25 / 1.01	50 / 1.01	75 / 1.00	61 / 1.00	46 / 0.99	32 / 0.99	18 / 0.99	N/R	N/R	N/R
	1/2"	1-1/8"	0	0	0	25 / 1.01	50 / 1.01	75 / 1.00	100 / 1.00	100 / 0.99	100 / 0.99	97 / 0.99	95 / 0.99	92 / 0.99	89 / 0.98

NOTES:

1. Do not exceed 200 ft linear line length.
2. *Do not exceed 100 ft vertical separation if outdoor unit is above indoor unit.
3. **3/4" suction line should only be used for 1.5 ton systems if outdoor unit is below or at same level as indoor to assure proper oil return.
4. Always use the smallest liquid line allowable to minimize refrigerant charge.
5. Applications shaded in light gray indicate capacity multipliers between 0.90 and 0.96 which are not recommended, but are allowed.
6. Applications shaded in dark gray are not recommended due to excessive liquid or suction pressure drop.

13 - 14 SEER Single-Stage Air-Conditioners																	
Unit Size	Allowable Liquid Line Size mm [in.]	Allowable Suction Line Size mm [in.]	Apply Long Line Guidelines if Linear Line Length Exceeds Those Shown Below (Meters)			Equivalent Length (Meters)											
			WA13	WA14 A/B	WA14 W	< 8	8-15	16-23	24-30	31-38	39-46	47-53	54-61	62-69	70-76		
			Maximum Vertical Rise (Outdoor Unit Below Indoor Unit) * / Capacity Multiplier														
5.3 kW [1.5 Ton] **SEE NOTE 3	6.35 [1/4]	15.88 [5/8]	N/A	N/A	N/A	8 / 1.00	15 / 0.99	19 / 0.98	13 / 0.98	7 / 0.97	2 / 0.97	N/R	N/R	N/R	N/R	N/R	
	7.94 [5/16]	15.88 [5/8]	69	57	58	8 / 1.00	15 / 0.99	23 / 0.98	30 / 0.98	28 / 0.97	27 / 0.97	25 / 0.96	24 / 0.96	22 / 0.95	21 / 0.94	21 / 0.94	
	9.53 [3/8]	15.88 [5/8]	46	38	39	8 / 1.00	15 / 0.99	23 / 0.98	30 / 0.98	30 / 0.97	30 / 0.97	30 / 0.96	30 / 0.96	30 / 0.95	30 / 0.94	30 / 0.94	
	6.35 [1/4]	19.05 [3/4]**	N/A	N/A	N/A	8 / 1.00	15 / 1.00	19 / 0.99	13 / 0.99	7 / 0.99	2 / 0.99	N/R	N/R	N/R	N/R	N/R	N/R
	7.94 [5/16]	19.05 [3/4]**	69	57	58	8 / 1.00	15 / 1.00	23 / 0.99	30 / 0.99	28 / 0.99	27 / 0.99	25 / 0.99	24 / 0.98	22 / 0.98	21 / 0.98	21 / 0.98	
	9.53 [3/8]	19.05 [3/4]**	46	38	39	8 / 1.00	15 / 1.00	23 / 0.99	30 / 0.99	30 / 0.99	30 / 0.99	30 / 0.99	30 / 0.98	30 / 0.98	30 / 0.98	30 / 0.98	30 / 0.98
7.0 kW [2 Ton]	6.35 [1/4]	15.88 [5/8]	N/A	N/A	N/A	8 / 0.99	15 / 0.98	6 / 0.97	N/R	N/R	N/R	N/R	N/R	N/R	N/R	N/R	N/R
	7.94 [5/16]	15.88 [5/8]	68	52	55	8 / 0.99	15 / 0.98	23 / 0.97	27 / 0.96	23 / 0.95	21 / 0.94	19 / 0.93	16 / 0.92	14 / 0.91	11 / 0.90	11 / 0.90	
	9.53 [3/8]	15.88 [5/8]	45	35	37	8 / 0.99	15 / 0.98	23 / 0.97	30 / 0.96	30 / 0.95	30 / 0.94	30 / 0.93	29 / 0.92	28 / 0.91	27 / 0.90	27 / 0.90	
	6.35 [1/4]	19.05 [3/4]	N/A	N/A	N/A	8 / 1.00	15 / 1.00	6 / 0.99	N/R	N/R	N/R	N/R	N/R	N/R	N/R	N/R	N/R
	7.94 [5/16]	19.05 [3/4]	68	52	55	8 / 1.00	15 / 1.00	23 / 0.99	27 / 0.99	23 / 0.98	21 / 0.98	19 / 0.98	16 / 0.97	14 / 0.97	11 / 0.96	11 / 0.96	
	9.53 [3/8]	19.05 [3/4]	45	35	37	8 / 1.00	15 / 1.00	23 / 0.99	30 / 0.99	30 / 0.98	30 / 0.98	30 / 0.98	29 / 0.97	28 / 0.97	27 / 0.96	27 / 0.96	
8.8 kW [2.5 Ton]	7.94 [5/16]	15.88 [5/8]	45	45	34	8 / 0.99	15 / 0.98	23 / 0.96	21 / 0.94	18 / 0.93	15 / 0.91	11 / 0.90	N/R	N/R	N/R	N/R	N/R
	9.53 [3/8]	15.88 [5/8]	30	30	23	8 / 0.99	15 / 0.98	23 / 0.96	30 / 0.94	30 / 0.93	29 / 0.91	27 / 0.90	N/R	N/R	N/R	N/R	N/R
	7.94 [5/16]	19.05 [3/4]	45	45	34	8 / 1.00	15 / 0.99	23 / 0.99	21 / 0.98	18 / 0.98	15 / 0.97	11 / 0.96	8 / 0.96	4 / 0.95	N/R	N/R	
	9.53 [3/8]	19.05 [3/4]	30	30	23	8 / 1.00	15 / 0.99	23 / 0.99	30 / 0.98	30 / 0.98	29 / 0.97	27 / 0.96	26 / 0.96	25 / 0.95	24 / 0.95	24 / 0.95	
	7.94 [5/16]	15.88 [5/8]	N/A	27	22	8 / 0.99	15 / 0.97	20 / 0.94	15 / 0.92	10 / 0.90	N/R	N/R	N/R	N/R	N/R	N/R	N/R
	9.53 [3/8]	15.88 [5/8]	34	18	15	8 / 0.99	15 / 0.97	23 / 0.94	29 / 0.92	27 / 0.90	N/R	N/R	N/R	N/R	N/R	N/R	N/R
10.6kW [3 Ton]	7.94 [5/16]	19.05 [3/4]	34	27	22	8 / 1.00	15 / 0.99	20 / 0.98	15 / 0.98	10 / 0.97	5 / 0.96	N/R	N/R	N/R	N/R	N/R	
	9.53 [3/8]	19.05 [3/4]	34	18	15	8 / 1.00	15 / 0.99	23 / 0.98	29 / 0.98	27 / 0.97	26 / 0.96	24 / 0.95	22 / 0.94	20 / 0.93	19 / 0.93	19 / 0.93	
	12.7 [1/2]	19.05 [3/4]	17	9	7	8 / 1.00	15 / 0.99	23 / 0.98	30 / 0.98	30 / 0.97	30 / 0.96	30 / 0.95	30 / 0.94	30 / 0.93	30 / 0.93	30 / 0.93	
	7.94 [5/16]	22.23 [7/8]	N/A	27	22	8 / 1.00	15 / 1.00	20 / 1.00	15 / 0.99	10 / 0.99	5 / 0.99	N/R	N/R	N/R	N/R	N/R	N/R
	9.53 [3/8]	22.23 [7/8]	34	18	15	8 / 1.00	15 / 1.00	23 / 1.00	29 / 0.99	27 / 0.99	26 / 0.99	24 / 0.98	22 / 0.98	20 / 0.98	19 / 0.97	19 / 0.97	
	12.7 [1/2]	22.23 [7/8]	17	9	7	8 / 1.00	15 / 1.00	23 / 1.00	30 / 0.99	30 / 0.99	30 / 0.99	30 / 0.98	30 / 0.98	30 / 0.98	30 / 0.98	30 / 0.97	30 / 0.97
12.3 kW [3.5 Ton]	9.53 [3/8]	19.05 [3/4]	45	34	30	8 / 0.99	15 / 0.98	23 / 0.97	27 / 0.96	24 / 0.95	22 / 0.94	20 / 0.92	17 / 0.91	15 / 0.90	N/R	N/R	
	12.7 [1/2]	19.05 [3/4]	23	17	15	8 / 0.99	15 / 0.98	23 / 0.97	30 / 0.96	30 / 0.95	30 / 0.94	30 / 0.92	30 / 0.91	30 / 0.90	N/R	N/R	
	9.53 [3/8]	22.23 [7/8]	45	34	30	8 / 1.00	15 / 1.00	23 / 0.99	27 / 0.99	24 / 0.99	22 / 0.98	20 / 0.97	17 / 0.97	15 / 0.96	13 / 0.96	13 / 0.96	
	12.7 [1/2]	22.23 [7/8]	23	17	15	8 / 1.00	15 / 1.00	23 / 0.99	30 / 0.99	30 / 0.99	30 / 0.98	30 / 0.97	30 / 0.97	30 / 0.96	30 / 0.96	30 / 0.96	
						8 / 1.00	15 / 1.00	23 / 0.99	30 / 0.99	30 / 0.99	30 / 0.99	30 / 0.98	30 / 0.97	30 / 0.97	30 / 0.97	30 / 0.97	30 / 0.96
						8 / 1.00	15 / 1.00	23 / 0.99	30 / 0.99	30 / 0.99	30 / 0.99	30 / 0.98	30 / 0.97	30 / 0.97	30 / 0.97	30 / 0.97	30 / 0.96

NOTES:
 1. Do not exceed 61 meters linear line length.
 2. Do not exceed 30 meters vertical separation if outdoor unit is above indoor unit.
 3. **19.05 mm [3/4 in.] suction line should only be used for 1.5 ton systems if outdoor unit is below or at same level as indoor to assure proper oil return.
 4. Always use the smallest liquid line allowable to minimize refrigerant charge.
 5. Applications shaded in light gray indicate capacity multipliers between 0.90 and 0.96 which are not recommended, but are allowed.
 6. Applications shaded in dark gray are not recommended due to excessive liquid or suction pressure drop.

13 - 14 SEER Single-Stage Air-Conditioners															
Unit Size	Allowable Liquid Line Size mm [in.]	Allowable Suction Line Size mm [in.]	Apply Long Line Guidelines if Linear Line Length Exceeds Those Shown Below (Meters)			Equivalent Length (Meters)									
			WA13	WA14 A/B	WA14 W	< 8	8-15	16-23	24-30	31-38	39-46	47-53	54-61	62-69	70-76
			Maximum Vertical Rise (Outdoor Unit Below Indoor Unit) * / Capacity Multiplier												
14.1 kW [4 Ton]	9.53 [3/8]	19.05 [3/4]	25	25	0	8 / 0.99	15 / 0.98	23 / 0.96	24 / 0.95	20 / 0.93	17 / 0.92	14 / 0.91	N/R	N/R	N/R
	12.70 [1/2]	19.05 [3/4]	12	12	0	8 / 0.99	15 / 0.98	23 / 0.96	30 / 0.95	30 / 0.93	30 / 0.92	30 / 0.91	N/R	N/R	N/R
	9.53 [3/8]	22.23 [7/8]	25	25	0	8 / 1.00	15 / 0.99	23 / 0.99	24 / 0.98	20 / 0.97	17 / 0.97	14 / 0.96	11 / 0.96	8 / 0.95	5 / 0.95
	12.70 [1/2]	22.23 [7/8]	12	12	0	8 / 1.00	15 / 0.99	23 / 0.99	30 / 0.98	30 / 0.97	30 / 0.97	30 / 0.96	30 / 0.96	30 / 0.95	30 / 0.95
17.6 kW [5 Ton]	9.53 [3/8]	19.05 [3/4]	0	0	0	8 / 0.99	15 / 0.97	23 / 0.94	19 / 0.92	14 / 0.90	N/R	N/R	N/R	N/R	N/R
	12.70 [1/2]	19.05 [3/4]	0	0	0	8 / 0.99	15 / 0.97	23 / 0.94	30 / 0.92	30 / 0.90	N/R	N/R	N/R	N/R	N/R
	9.53 [3/8]	22.23 [7/8]	0	0	0	8 / 1.00	15 / 0.99	23 / 0.98	19 / 0.97	14 / 0.96	10 / 0.95	5 / 0.94	N/R	N/R	N/R
	12.70 [1/2]	22.23 [7/8]	0	0	0	8 / 1.00	15 / 0.99	23 / 0.98	30 / 0.97	30 / 0.96	30 / 0.95	30 / 0.94	29 / 0.94	28 / 0.93	27 / 0.92
	9.53 [3/8]	28.58 [1-1/8]	0	0	0	8 / 1.01	15 / 1.01	23 / 1.00	19 / 1.00	14 / 0.99	10 / 0.99	5 / 0.99	N/R	N/R	N/R
	12.70 [1/2]	28.58 [1-1/8]	0	0	0	8 / 1.01	15 / 1.01	23 / 1.00	30 / 1.00	30 / 0.99	30 / 0.99	30 / 0.99	29 / 0.99	28 / 0.99	27 / 0.98

NOTES:

1. Do not exceed 61 meters linear line length.
2. *Do not exceed 30 meters vertical separation if outdoor unit is above indoor unit.
3. **19.05 mm [3/4 in.] suction line should only be used for 1.5 ton systems if outdoor unit is below or at same level as indoor to assure proper oil return.
4. Always use the smallest liquid line allowable to minimize refrigerant charge.
5. Applications shaded in light gray indicate capacity multipliers between 0.90 and 0.96 which are not recommended, but are allowed.
6. Applications shaded in dark gray are not recommended due to excessive liquid or suction pressure drop.

Performance Data @ AHRI Standard Conditions—Cooling

Designated Tested Combination (DTC)							
Outdoor Unit	Indoor Coil or Air Handler	Total Capacity BTU/H [kW]	Net Sensible BTU/H [kW]	Net Latent BTU/H [kW]	SEER	EER	Indoor CFM [L/s]
WA1318AJ1	TCFL-H*2417+RXMD-C04	17100 [5.0]	12777 [3.7]	4323 [1.3]	13.00	10.50	600 [283.1]
WA1324AJ1	TCFL-H*2417+RXMD-C04	22800 [6.7]	13071 [3.8]	9729 [2.9]	13.00	10.50	800 [377.6]
WA1330BJ1	TCF3617STA+RXMD-C04	27800 [8.0]	20596 [6.0]	7204 [2.1]	13.00	11.00	1000 [471.9]
WA1336AJ1	TCFL-H*3617+RXMD-C04	33800 [9.9]	23818 [7.0]	9982 [2.9]	13.00	9.75	1000 [471.9]
WA1342AJ1	TCFL-H*4821+RXMD-C04	39500 [11.6]	28900 [8.5]	10600 [3.1]	13.00	11.00	1375 [648.9]
WA1348BC1	TCF4821STA+RXMD-C04	45000 [13.2]	32589 [9.6]	12411 [3.6]	13.00	11.00	1500 [707.9]
WA1348BD1	TCF4821STA+RXMD-C04	45000 [13.2]	32589 [9.6]	12411 [3.6]	13.00	11.00	1500 [707.9]
WA1348BJ1	TCF4821STA+RXMD-C04	45000 [13.2]	32589 [9.6]	12411 [3.6]	13.00	11.00	1500 [707.9]
WA1360BC1	TCFL-H*6024+RXMD-C04	57000 [16.7]	39345 [11.5]	17655 [5.2]	13.00	11.00	1600 [755.1]
WA1360BJ1	TCFL-H*6024+RXMD-C04	57000 [16.7]	39345 [11.5]	17655 [5.2]	13.00	11.00	1600 [755.1]

NOTE: Additional ratings and system match ups and downloadable ratings certificates can be accessed from the AHRI website: www.ahridirectory.org

[] Designates Metric Conversions

GENERAL TERMS OF LIMITED WARRANTY*

WeatherKing will furnish a replacement for any part of this product which fails in normal use and service within the applicable period stated, in accordance with the terms of the limited warranty.

Parts.....Five (5) Years

***For complete details of the Limited and Conditional Warranties, including applicable terms and conditions, contact your local contractor or the Manufacturer for a copy of the product warranty certificate.**

Before proceeding with installation, refer to installation instructions packaged with each model, as well as complying with all Federal, State, Provincial, and Local codes, regulations, and practices.



"In keeping with its policy of continuous progress and product improvement, WeatherKing reserves the right to make changes without notice."