



## AIR CONDITIONERS

### Features

- Outdoor air conditioner designed for ground level or rooftop installations. These units offer comfort and dependability for single, multi-family and light commercial applications.
- Painted louvered steel cabinet
- Easily accessible control box
- Condenser coils constructed with copper tubing and enhanced aluminum fins
- Grille/Motor mount for quiet fan operation
- Filter Drier (shipped – not installed)



### WA16 SERIES

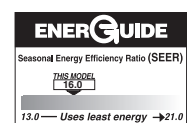
Efficiencies up to 16 SEER/13 EER

Nominal Sizes 1.5 to 3 Ton

[5.28 to 10.6 kW]



9001:2015



*"Proper sizing and installation of equipment is critical to achieve optimal performance. Split system air conditioners and heat pumps must be matched with appropriate coil components to meet ENERGY STAR criteria. Ask your Contractor for details or visit [www.energystar.gov](http://www.energystar.gov)."*

## TABLE OF CONTENTS

Model Number Identification .....	3
Available SKUs .....	3
Electrical & Physical Data .....	4
Unit Dimensions .....	5
Refrigerant Line Size Information .....	6-9
Performance Data .....	10
Limited Warranty .....	11

# Air Conditioners\*

<b>W</b>	<b>A</b>	<b>14</b>	<b>24</b>	<b>W</b>	<b>J</b>	<b>1</b>	<b>N</b>	<b>A</b>
<b>Brand</b>	<b>Product Category</b>	<b>SEER</b>	<b>Capacity BTU/HR</b>	<b>Major Series*</b>	<b>Voltage</b>	<b>Type</b>	<b>Controls</b>	<b>Minor Series**</b>
Weather King	A - Air Conditioners	16 - 16 SEER	18 - 18,000 [5.28 kW] 24 - 24,000 [7.03 kW] 30 - 30,000 [8.79 kW] 36 - 36,000 [10.55 kW] 48 - 48,000 [14.07 kW] 60 - 60,000 [17.58 kW]	A - 1st Design	J - 1ph, 208-230/60	1 - Single-stage	N - Non-Communicating	A - 1st Design B - 2nd Design

[ J ] Designates Metric Conversions

## Available SKUs

Available Models
WA1618AJ1NA
WA1624AJ1NA
WA1630AJ1NA
WA1636AJ1NA
WA1642BJ1NA
WA1648AJ1NA
WA1660AJ1NA

## Electrical and Physical Data

<b>Physical Data</b>							
<b>Model No. #</b>	<b>WA1618</b>	<b>WA1624</b>	<b>WA1630</b>	<b>WA1636</b>	<b>WA1642</b>	<b>WA1648</b>	<b>WA1660</b>
<b>Nominal Tonnage</b>	1.5	2.0	2.5	3.0	3.5	4.0	5.0
<b>Valve Connections</b>							
Liquid Line O.D. - in.	3/8	3/8	3/8	3/8	3/8	3/8	3/8
Suction Line O.D. - in.	3/4	3/4	3/4	3/4	7/8	7/8	7/8
<b>Refrigerant (R410A) furnished oz.<sup>1</sup></b>	80.9	85	112	128	164	207	228
<b>Compressor Type</b>	Scroll						
<b>Outdoor Coil</b>							
Net face area - Outer Coil	11.8	13.7	13.7	21.9	21.85	21.9	21.9
Tube diameter - in.	3/8	3/8	3/8	3/8	3/8	3/8	3/8
Number of rows	1	1	1	1	1	2	2
Fins per inch	22	22	22	22	22	20	20
<b>Outdoor Fan</b>							
Diameter - in.	22	22	24	24	22	24	24
Number of blades	2	2	2	3	3	3	3
Motor hp	1/10	1/12	1/8	1/5	1/4	1/3	1/3
cfm	2049	2077	2915	3430	3600	3615	3615
rpm	825	841	850	850	1075	1075	1075
watts	122	76	135	228	244	195	311
<b>Shipping weight - lbs.</b>	157	171	175	201	201	289	274
<b>Operating weight - lbs.</b>	150	164	168	194	194	262	267
<b>Electrical Data</b>							
<b>Line Voltage Data (Volts-Phase-Hz)</b>	<b>208/230-1-60</b>	<b>208/230-1-60</b>	<b>208/230-1-60</b>	<b>208/230-1-60</b>	<b>208/230-1-60</b>	<b>208/230-1-60</b>	<b>208/230-1-60</b>
<b>Maximum overcurrent protection (amps)<sup>2</sup></b>	20	25	25	35	40	50	60
<b>Minimum circuit ampacity<sup>3</sup></b>	12	15	17	21	25	29	35
<b>Compressor</b>							
Rated load amps	9.0	11.2	12.8	15.4	18.6	21.8	26.4
Locked rotor amps	46	60.8	64	83.9	109	117	134
<b>Condenser Fan Motor</b>							
Full load amps	0.5	0.36	0.68	1.0	1	1.7	1.7
Locked rotor amps	1.0	1.0	1.3	2.4	2.5	3.2	3.2

<sup>1</sup>Refrigerant charge sufficient for 15 ft. length of refrigerant lines. For longer line set requirements see the installation instructions for information about set length and additional refrigerant charge required.

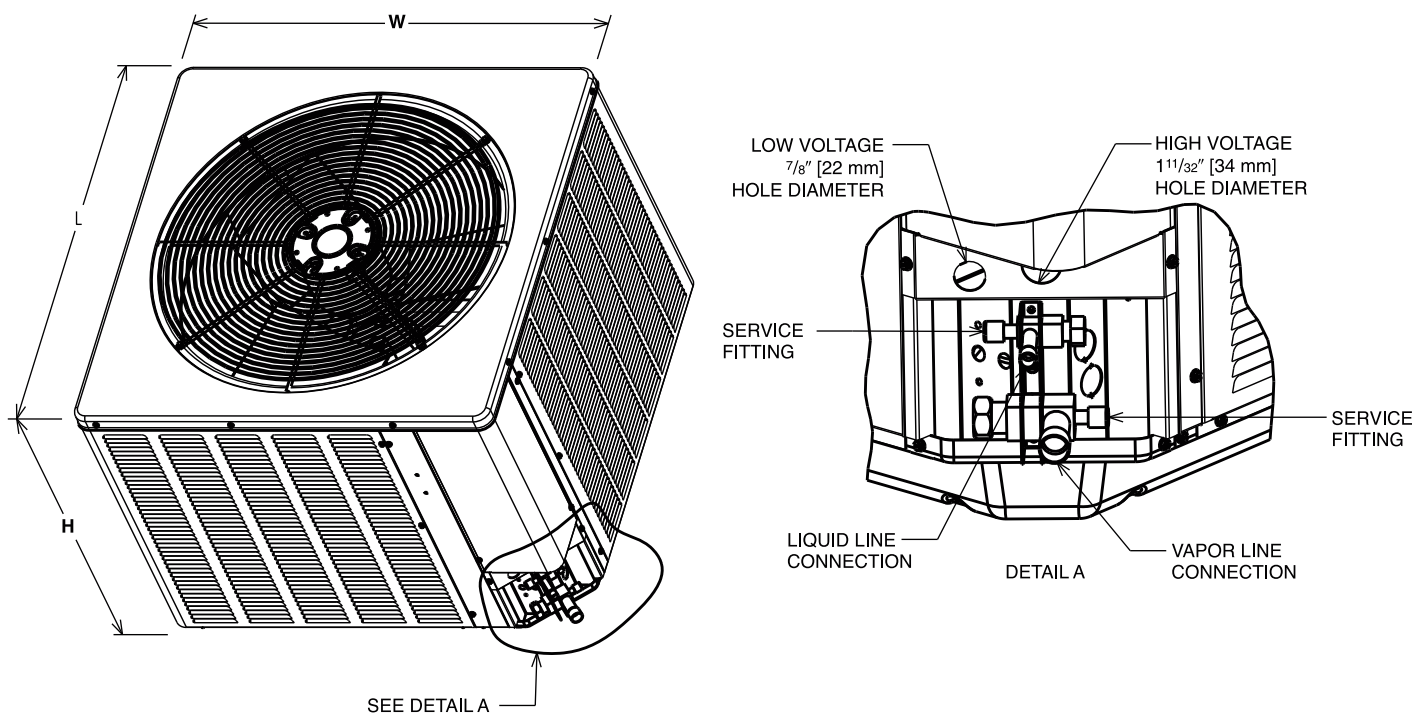
<sup>2</sup>HACR type circuit breaker or fuse.

<sup>3</sup>Refer to National Electrical Code manual to determine wire, fuse and disconnect size requirements.

## Unit Dimensions

MODEL NUMBER	OPERATING						SHIPPING					
	H (Height)		L (Length)		W (Width)		H (Height)		L (Length)		W (Width)	
	INCHES	mm	INCHES	mm	INCHES	mm	INCHES	mm	INCHES	mm	INCHES	mm
WA1618	24.25	616	27.63	702	27.63	702	24.50	622	28.75	730	28.75	730
WA1624	24.25	616	27.63	702	27.63	702	24.50	622	28.75	730	28.75	730
WA1630	27.38	695	31.63	803	31.63	803	27.63	702	32.75	832	32.75	832
WA1636	35.38	899	31.63	803	31.63	803	35.38	899	31.63	803	31.63	803
WA1642	35.38	899	31.63	803	31.63	803	35.38	899	31.63	803	31.63	803
WA1648	35.38	899	31.63	803	31.63	803	35.38	899	31.63	803	31.63	803
WA1660	35.38	899	31.63	803	31.63	803	35.38	899	31.63	803	31.63	803

[ ] Designates Metric Conversions



NOTE: Illustrations show the deep drawn basepan.

# Condensing Unit Refrigerant Line Size Information

16 SEER Single-Stage Air-Conditioners																				
Unit Size	Allowable Liquid Line Size	Allowable Suction Line Size	Apply Long Line Guidelines if Linear Line Length Exceeds Those Shown Below (Feet)	Equivalent Length (Feet)																
				< 25	26-50	51-75	76-100	101-125	126-150	151-175	176-200	201-225	226-250							
WA16				Maximum Vertical Rise (Outdoor Unit Below Indoor Unit) * / Capacity Multiplier																
1.5 Ton **SEE NOTE 3	1/4"	5/8"	N/A	25/1.00	50/0.99	62/0.98	43/0.98	24/0.97	5/0.97	NR	NR	NR	NR	NR	NR	NR	NR	NR	NR	
	5/16"	5/8"	190	25/1.00	50/0.99	75/0.98	98/0.98	93/0.97	88/0.97	83/0.96	78/0.96	73/0.95	68/0.94	100/0.94	100/0.94	100/0.94	100/0.94	100/0.94	100/0.94	100/0.94
	3/8"	5/8"	127	25/1.00	50/0.99	75/0.98	100/0.98	100/0.97	100/0.97	100/0.97	100/0.96	100/0.95	100/0.94	100/0.94	100/0.94	100/0.94	100/0.94	100/0.94	100/0.94	100/0.94
	1/4"	3/4"	N/A	25/1.00	50/1.00	62/0.99	43/0.99	24/0.99	5/0.99	NR	NR	NR	NR	NR	NR	NR	NR	NR	NR	NR
	5/16"	3/4"	190	25/1.00	50/1.00	75/0.99	98/0.99	93/0.99	88/0.99	83/0.99	78/0.98	73/0.98	68/0.98	100/0.98	100/0.98	100/0.98	100/0.98	100/0.98	100/0.98	100/0.98
	3/8"	3/4"	127	25/1.00	50/1.00	75/1.00	100/0.99	100/0.99	100/0.99	100/0.99	100/0.99	100/0.98	100/0.98	100/0.98	100/0.98	100/0.98	100/0.98	100/0.98	100/0.98	100/0.98
2 Ton	1/4"	5/8"	N/A	25/0.99	50/0.98	21/0.97	NR	NR	NR	NR	NR	NR	NR	NR	NR	NR	NR	NR	NR	
	5/16"	5/8"	180	25/0.99	50/0.98	75/0.97	87/0.96	77/0.95	69/0.94	61/0.93	53/0.92	45/0.91	37/0.90	100/0.90	100/0.90	100/0.90	100/0.90	100/0.90	100/0.90	100/0.90
	3/8"	5/8"	120	25/0.99	50/0.98	75/0.97	100/0.96	100/0.95	100/0.94	98/0.93	95/0.92	92/0.91	89/0.90	100/0.90	100/0.90	100/0.90	100/0.90	100/0.90	100/0.90	100/0.90
	1/4"	3/4"	N/A	25/1.00	50/1.00	21/0.99	NR	NR	NR	NR	NR	NR	NR	NR	NR	NR	NR	NR	NR	NR
	5/16"	3/4"	180	25/1.00	50/1.00	75/0.99	87/0.99	77/0.98	69/0.98	61/0.98	53/0.97	45/0.97	37/0.96	100/0.96	100/0.96	100/0.96	100/0.96	100/0.96	100/0.96	100/0.96
	3/8"	3/4"	120	25/1.00	50/1.00	75/0.99	100/0.99	100/0.99	100/0.98	100/0.98	98/0.98	93/0.97	90/0.96	87/0.95	84/0.94	81/0.93	78/0.92	75/0.91	72/0.90	70/0.89
2.5 Ton	5/16"	5/8"	113	25/0.99	50/0.98	75/0.96	70/0.94	59/0.93	48/0.91	36/0.90	NR	NR	NR	NR	NR	NR	NR	NR	NR	
	3/8"	5/8"	75	25/0.99	50/0.98	75/0.96	100/0.94	98/0.93	94/0.91	90/0.90	NR	NR	NR	NR	NR	NR	NR	NR	NR	
	5/16"	3/4"	113	25/1.00	50/0.99	75/0.99	70/0.98	59/0.98	48/0.97	36/0.96	25/0.96	13/0.95	NR	NR	NR	NR	NR	NR	NR	
	3/8"	3/4"	75	25/1.00	50/0.99	75/0.99	100/0.98	98/0.98	94/0.97	90/0.96	86/0.96	82/0.95	78/0.95	100/0.95	100/0.95	100/0.95	100/0.95	100/0.95	100/0.95	100/0.95
	5/16"	5/8"	73	25/0.99	50/0.97	66/0.94	49/0.92	32/0.90	NR	NR	NR	NR	NR	NR	NR	NR	NR	NR	NR	
	3/8"	5/8"	48	25/0.99	50/0.97	75/0.94	95/0.92	89/0.90	NR	NR	NR	NR	NR	NR	NR	NR	NR	NR	NR	NR
3 Ton	5/16"	3/4"	73	25/1.00	50/0.99	66/0.98	49/0.98	32/0.97	15/0.96	NR	NR	NR	NR	NR	NR	NR	NR	NR	NR	
	3/8"	3/4"	48	25/1.00	50/0.99	75/0.98	95/0.98	89/0.97	84/0.96	78/0.95	72/0.94	67/0.93	61/0.93	100/0.93	100/0.93	100/0.93	100/0.93	100/0.93	100/0.93	
	1/2"	3/4"	24	25/1.00	50/0.99	75/0.98	100/0.98	100/0.97	100/0.96	100/0.96	100/0.94	100/0.93	100/0.93	100/0.93	100/0.93	100/0.93	100/0.93	100/0.93	100/0.93	
	5/16"	7/8"	73	25/1.00	50/1.00	66/1.00	49/0.99	32/0.99	15/0.99	NR	NR	NR	NR	NR	NR	NR	NR	NR	NR	
	3/8"	7/8"	48	25/1.00	50/1.00	75/1.00	95/0.99	89/0.99	84/0.99	78/0.98	72/0.98	67/0.98	61/0.97	100/0.97	100/0.97	100/0.97	100/0.97	100/0.97	100/0.97	
	1/2"	7/8"	24	25/1.00	50/1.00	75/1.00	100/0.99	100/0.99	100/0.99	100/0.99	100/0.98	100/0.98	100/0.98	100/0.98	100/0.98	100/0.98	100/0.98	100/0.98	100/0.98	100/0.98

- NOTES:**
- 1) Do not exceed 200 ft linear line length.
  - 2) \*Do not exceed 100 ft vertical separation if outdoor unit is above indoor unit.
  - 3) \*\*3/4" suction line should only be used for 1.5 ton systems if outdoor unit is below or at same level as indoor to assure proper oil return.
  - 4) Always use the smallest liquid line allowable to minimize refrigerant charge.
  - 5) Applications shaded in light gray indicate capacity multipliers between 0.90 and 0.96 which are not recommended, but are allowed.
  - 6) Applications shaded in dark gray are not recommended due to excessive liquid or suction pressure drop.

## Condensing Unit Refrigerant Line Size Information (con't.)

16 SEER Single-Stage Air-Conditioners													
Unit Size	Allowable Liquid Line Size	Allowable Suction Line Size	Apply Long Line Guidelines if Linear Line Length Exceeds Those Shown Below (Feet)	Equivalent Length (Feet)									
				< 25	26-50	51-75	76-100	101-125	126-150	151-175	176-200	201-225	226-250
				Maximum Vertical Rise (Outdoor Unit Below Indoor Unit) * / Capacity Multiplier									
WA16													
4 Ton	3/8"	3/4"	0	25 / 0.99	50 / 0.98	75 / 0.96	77 / 0.95	67 / 0.93	57 / 0.92	46 / 0.91	NR	NR	NR
	1/2"	3/4"	0	25 / 0.99	50 / 0.98	75 / 0.96	100 / 0.95	100 / 0.93	100 / 0.92	100 / 0.91	NR	NR	NR
	3/8"	7/8"	0	25 / 1.00	50 / 0.99	75 / 0.99	77 / 0.98	67 / 0.97	57 / 0.97	46 / 0.96	36 / 0.96	26 / 0.95	15 / 0.95
	1/2"	7/8"	0	25 / 1.00	50 / 0.99	75 / 0.99	100 / 0.98	100 / 0.97	100 / 0.97	100 / 0.96	100 / 0.96	99 / 0.95	97 / 0.95
5 Ton	3/8"	3/4"	0	25 / 0.99	50 / 0.97	75 / 0.94	61 / 0.92	46 / 0.90	NR	NR	NR	NR	NR
	1/2"	3/4"	0	25 / 0.99	50 / 0.97	75 / 0.94	100 / 0.92	100 / 0.90	NR	NR	NR	NR	NR
	3/8"	7/8"	0	25 / 1.00	50 / 0.99	75 / 0.98	61 / 0.97	46 / 0.96	32 / 0.95	18 / 0.94	NR	NR	NR
	1/2"	7/8"	0	25 / 1.00	50 / 0.99	75 / 0.98	100 / 0.97	100 / 0.96	100 / 0.95	97 / 0.94	95 / 0.94	92 / 0.93	89 / 0.92
	3/8"	1-1/8"	0	25 / 1.01	50 / 1.01	75 / 1.00	61 / 1.00	46 / 0.99	32 / 0.99	18 / 0.99	NR	NR	NR
	1/2"	1-1/8"	0	25 / 1.01	50 / 1.01	75 / 1.00	100 / 1.00	100 / 0.99	100 / 0.99	100 / 0.99	97 / 0.99	95 / 0.99	92 / 0.99

**NOTES:**

- 1) Do not exceed 200 ft linear line length.
- 2) \*Do not exceed 100 ft vertical separation if outdoor unit is above indoor unit.
- 3) \*\*3/4" suction line should only be used for 1.5 ton systems if outdoor unit is below or at same level as indoor to assure proper oil return.
- 4) Always use the smallest liquid line allowable to minimize refrigerant charge.
- 5) Applications shaded in light gray indicate capacity multipliers between 0.90 and 0.96 which are not recommended, but are allowed.
- 6) Applications shaded in dark gray are not recommended due to excessive liquid or suction pressure drop.

# Condensing Unit Refrigerant Line Size Information

16 SEER Single-Stage Air-Conditioners																	
Unit Size	Allowable Liquid Line Size mm [in.]	Allowable Suction Line Size mm [in.]	Apply Long Line Guidelines if Linear Line Length Exceeds Those Shown Below (Meters)	Equivalent Length (Meters)													
				< 8	8-15	16-23	24-30	31-38	39-46	47-53	54-61	62-69	70-76				
				Maximum Vertical Rise (Outdoor Unit Below Indoor Unit) * / Capacity Multiplier													
5.3 kW [1.5 Ton] <b>**SEE NOTE 3</b>	6.35 [1/4]	15.88 [5/8]	N/A	8 / 1.00	15 / 0.99	19 / 0.98	13 / 0.98	7 / 0.97	2 / 0.97	NR	NR	NR	NR	NR	NR	NR	
	7.94 [5/16]	15.88 [5/8]	58	8 / 1.00	15 / 0.99	23 / 0.98	30 / 0.98	28 / 0.97	27 / 0.97	25 / 0.96	24 / 0.96	22 / 0.95	21 / 0.94	21 / 0.94	21 / 0.94	21 / 0.94	
	9.53 [3/8]	15.88 [5/8]	39	8 / 1.00	15 / 0.99	23 / 0.98	30 / 0.98	30 / 0.97	30 / 0.97	30 / 0.96	30 / 0.96	30 / 0.95	30 / 0.94	30 / 0.94	30 / 0.94	30 / 0.94	
	6.35 [1/4]	19.05 [3/4]**	N/A	8 / 1.00	15 / 1.00	19 / 0.99	13 / 0.99	7 / 0.99	2 / 0.99	NR	NR	NR	NR	NR	NR	NR	NR
	7.94 [5/16]	19.05 [3/4]**	58	8 / 1.00	15 / 1.00	23 / 0.99	30 / 0.99	28 / 0.99	27 / 0.99	25 / 0.99	24 / 0.98	22 / 0.98	22 / 0.98	21 / 0.98	21 / 0.98	21 / 0.98	21 / 0.98
	9.53 [3/8]	19.05 [3/4]**	39	8 / 1.00	15 / 1.00	23 / 0.99	30 / 0.99	30 / 0.99	30 / 0.99	30 / 0.99	30 / 0.98	30 / 0.98	30 / 0.98	30 / 0.98	30 / 0.98	30 / 0.98	30 / 0.98
7.0 kW [2 Ton]	6.35 [1/4]	15.88 [5/8]	N/A	8 / 0.99	15 / 0.98	6 / 0.97	NR	NR	NR	NR	NR	NR	NR	NR	NR	NR	
	7.94 [5/16]	15.88 [5/8]	55	8 / 0.99	15 / 0.98	23 / 0.97	27 / 0.96	23 / 0.95	21 / 0.94	19 / 0.93	16 / 0.92	14 / 0.91	11 / 0.90	11 / 0.90	11 / 0.90	11 / 0.90	
	9.53 [3/8]	15.88 [5/8]	37	8 / 0.99	15 / 0.98	23 / 0.97	30 / 0.96	30 / 0.95	30 / 0.94	30 / 0.93	29 / 0.92	28 / 0.91	27 / 0.90	27 / 0.90	27 / 0.90	27 / 0.90	
	6.35 [1/4]	19.05 [3/4]	N/A	8 / 1.00	15 / 1.00	6 / 0.99	NR	NR	NR	NR	NR	NR	NR	NR	NR	NR	NR
	7.94 [5/16]	19.05 [3/4]	55	8 / 1.00	15 / 1.00	23 / 0.99	27 / 0.99	23 / 0.98	21 / 0.98	19 / 0.98	16 / 0.97	14 / 0.97	11 / 0.96	11 / 0.96	11 / 0.96	11 / 0.96	
	9.53 [3/8]	19.05 [3/4]	37	8 / 1.00	15 / 1.00	23 / 0.99	30 / 0.99	30 / 0.98	30 / 0.98	30 / 0.98	29 / 0.97	28 / 0.97	28 / 0.97	27 / 0.96	27 / 0.96	27 / 0.96	
8.8 kW [2.5 Ton]	7.94 [5/16]	15.88 [5/8]	34	8 / 0.99	15 / 0.98	23 / 0.96	21 / 0.94	18 / 0.93	15 / 0.91	NR	NR	NR	NR	NR	NR	NR	
	9.53 [3/8]	15.88 [5/8]	23	8 / 0.99	15 / 0.98	23 / 0.96	30 / 0.94	30 / 0.93	29 / 0.91	27 / 0.90	NR	NR	NR	NR	NR	NR	
	7.94 [5/16]	19.05 [3/4]	34	8 / 1.00	15 / 0.99	23 / 0.99	21 / 0.98	18 / 0.98	15 / 0.97	11 / 0.96	8 / 0.96	4 / 0.95	NR	NR	NR	NR	
	9.53 [3/8]	19.05 [3/4]	23	8 / 1.00	15 / 0.99	23 / 0.99	30 / 0.98	30 / 0.98	29 / 0.97	27 / 0.96	26 / 0.96	25 / 0.95	24 / 0.95	24 / 0.95	24 / 0.95	24 / 0.95	
	7.94 [5/16]	15.88 [5/8]	22	8 / 0.99	15 / 0.97	20 / 0.94	15 / 0.92	10 / 0.90	NR	NR	NR	NR	NR	NR	NR	NR	
	9.53 [3/8]	15.88 [5/8]	15	8 / 0.99	15 / 0.97	23 / 0.94	29 / 0.92	27 / 0.90	NR	NR	NR	NR	NR	NR	NR	NR	
10.6 kW [3 Ton]	7.94 [5/16]	19.05 [3/4]	22	8 / 1.00	15 / 0.99	20 / 0.98	15 / 0.98	10 / 0.97	5 / 0.96	NR	NR	NR	NR	NR	NR	NR	
	9.53 [3/8]	19.05 [3/4]	15	8 / 1.00	15 / 0.99	23 / 0.98	29 / 0.98	27 / 0.97	26 / 0.96	24 / 0.95	22 / 0.94	20 / 0.93	19 / 0.93	19 / 0.93	19 / 0.93	19 / 0.93	
	12.7 [1/2]	19.05 [3/4]	7	8 / 1.00	15 / 0.99	23 / 0.98	30 / 0.98	30 / 0.97	30 / 0.96	30 / 0.95	30 / 0.94	30 / 0.93	30 / 0.93	30 / 0.93	30 / 0.93	30 / 0.93	
	7.94 [5/16]	22.23 [7/8]	22	8 / 1.00	15 / 1.00	20 / 1.00	15 / 0.99	10 / 0.99	5 / 0.99	NR	NR	NR	NR	NR	NR	NR	
	9.53 [3/8]	22.23 [7/8]	15	8 / 1.00	15 / 1.00	23 / 1.00	29 / 0.99	27 / 0.99	26 / 0.99	24 / 0.98	22 / 0.98	20 / 0.98	19 / 0.97	19 / 0.97	19 / 0.97	19 / 0.97	
	12.7 [1/2]	22.23 [7/8]	7	8 / 1.00	15 / 1.00	23 / 1.00	30 / 0.99	30 / 0.99	30 / 0.99	30 / 0.99	30 / 0.98	30 / 0.98	30 / 0.98	30 / 0.98	30 / 0.98	30 / 0.98	

**NOTES:**

- 1) Do not exceed 61 meters linear line length.
- 2) Do not exceed 30 meters vertical separation if outdoor unit is above indoor unit.
- 3) \*19.05 mm [3/4 in.] vapor line should only be used for 1.5 ton systems if outdoor unit is below or at same level as indoor to assure proper oil return.
- 4) Always use the smallest liquid line allowable to minimize refrigerant charge.
- 5) Applications shaded in light gray indicate capacity multipliers between 0.90 and 0.96 which are not recommended, but are allowed.
- 6) Applications shaded in dark gray are not recommended due to excessive liquid or suction pressure drop.



## Condensing Unit Refrigerant Line Size Information (con't.)

16 SEER Single-Stage Air-Conditioners													
Unit Size	Allowable Liquid Line Size mm [in.]	Allowable Suction Line Size mm [in.]	Apply Long Line Guidelines if Linear Line Length Exceeds Those Shown Below (Meters)	Equivalent Length (Meters)									
				< 8	8-15	16-23	24-30	31-38	39-46	47-53	54-61	62-69	70-76
				Maximum Vertical Rise (Outdoor Unit Below Indoor Unit) * / Capacity Multiplier									
14.1 kW [4 Ton]	9.53 [3/8]	19.05 [3/4]	0	8 / 0.99	15 / 0.98	23 / 0.96	24 / 0.95	20 / 0.93	17 / 0.92	14 / 0.91	NR	NR	NR
	12.7 [1/2]	19.05 [3/4]	0	8 / 0.99	15 / 0.98	23 / 0.96	30 / 0.95	30 / 0.93	30 / 0.92	30 / 0.91	NR	NR	NR
	9.53 [3/8]	22.23 [7/8]	0	8 / 1.00	15 / 0.99	23 / 0.99	24 / 0.98	20 / 0.97	17 / 0.97	14 / 0.96	11 / 0.96	8 / 0.95	5 / 0.95
	12.7 [1/2]	22.23 [7/8]	0	8 / 1.00	15 / 0.99	23 / 0.99	30 / 0.98	30 / 0.97	30 / 0.97	30 / 0.96	30 / 0.96	30 / 0.95	30 / 0.95
17.6 kW [5 Ton]	9.53 [3/8]	19.05 [3/4]	0	8 / 0.99	15 / 0.97	23 / 0.94	19 / 0.92	14 / 0.90	NR	NR	NR	NR	NR
	12.7 [1/2]	19.05 [3/4]	0	8 / 0.99	15 / 0.97	23 / 0.94	30 / 0.92	30 / 0.90	NR	NR	NR	NR	NR
	9.53 [3/8]	22.23 [7/8]	0	8 / 1.00	15 / 0.99	23 / 0.98	19 / 0.97	14 / 0.96	10 / 0.95	5 / 0.94	NR	NR	NR
	12.7 [1/2]	22.23 [7/8]	0	8 / 1.00	15 / 0.99	23 / 0.98	30 / 0.97	30 / 0.96	30 / 0.95	30 / 0.94	29 / 0.94	28 / 0.93	27 / 0.92
	9.53 [3/8]	28.58 [1-1/8]	0	8 / 1.01	15 / 1.01	23 / 1.00	19 / 1.00	14 / 0.99	10 / 0.99	5 / 0.99	NR	NR	NR
	12.7 [1/2]	28.58 [1-1/8]	0	8 / 1.01	15 / 1.01	23 / 1.00	30 / 1.00	30 / 0.99	30 / 0.99	30 / 0.99	29 / 0.99	28 / 0.99	27 / 0.98

**NOTES:**

- 1) Do not exceed 61 meters linear line length.
- 2) Do not exceed 30 meters vertical separation if outdoor unit is above indoor unit.
- 3) \*19.05 mm [3/4 in.] vapor line should only be used for 1.5 ton systems if outdoor unit is below or at same level as indoor to assure proper oil return.
- 4) Always use the smallest liquid line allowable to minimize refrigerant charge.
- 5) Applications shaded in light gray indicate capacity multipliers between 0.90 and 0.96 which are not recommended, but are allowed.
- 6) Applications shaded in dark gray are not recommended due to excessive liquid or suction pressure drop.

## Performance Data @ AHRI Standard Conditions—Cooling

Designated Tested Combinations							
Outdoor Unit	Indoor Coil	Total Capacity BTU/H [kW]	Net Sensible BTU/H [kW]	Net Latent BTU/H [kW]	SEER	EER	Indoor CFM [L/s]
WA1618AJ1	RCFL-H*2417+RXMD-C04	17800 [5.2]	12900 [3.8]	4900 [1.4]	14.00	12.20	600 [283.2]
WA1624AJ1	RCFL-H*2617+RXMD-C04	23400 [6.9]	17000 [5.0]	6400 [1.9]	14.00	12.20	800 [377.6]
WA1630AJ1	RCF3617STA+RXMD-C04	27800 [8.1]	20200 [5.9]	7600 [2.2]	14.00	12.20	975 [460.1]
WA1636AJ1	RCF3621STA+RXMD-C04	35400 [10.4]	25700 [7.5]	9700 [2.8]	14.00	12.20	1125 [530.9]
WA1642BJ1	RCF4821MTA+RXMD	40000 [11.7]	30800 [9.0]	9200 [2.9]	14.00	12.20	1350 [637.1]
WA1648AJ1	RCFL-H*4821+RXMD-C04	46000 [13.5]	33400 [9.8]	12600 [3.7]	14.00	11.70	1600 [755.1]
WA1660AJ1	RCFL-H*6024+RXMD-C04	58000 [17.0]	42100 [12.3]	15900 [4.7]	14.00	11.70	1600 [755.1]

**Note:** Additional ratings and system match ups and downloadable ratings certificates can be accessed from the AHRI website: [www.ahridirectory.org](http://www.ahridirectory.org)

[ ] Designates Metric Conversions

**GENERAL TERMS OF LIMITED WARRANTY\***

WeatherKing will furnish a replacement for any part of this product which fails in normal use and service within the applicable period stated, in accordance with the terms of the limited warranty.

Parts.....Five (5) Years

**\*For complete details of the Limited and Conditional Warranties, including applicable terms and conditions, contact your local contractor or the Manufacturer for a copy of the product warranty certificate.**

---

**Before proceeding with installation, refer to installation instructions packaged with each model, as well as complying with all Federal, State, Provincial, and Local codes, regulations, and practices.**



---

*"In keeping with its policy of continuous progress and product improvement, WeatherKing reserves the right to make changes without notice."*